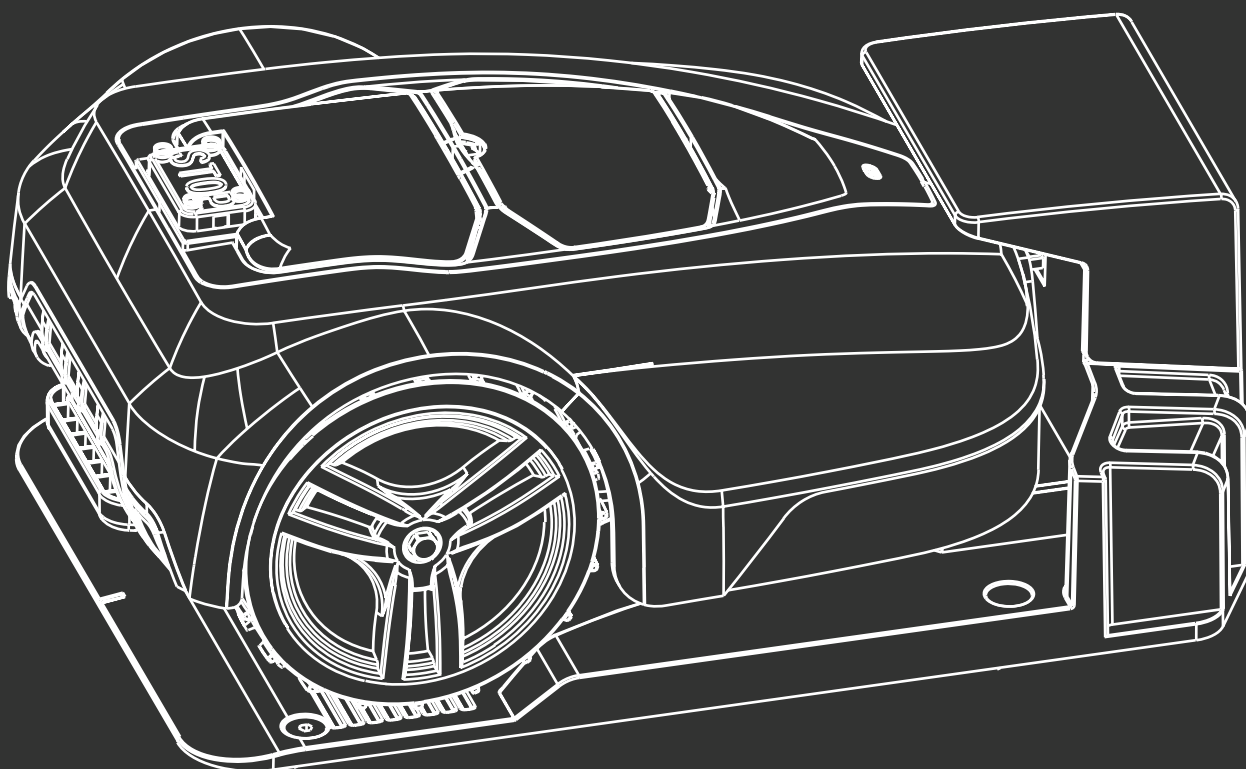


HYUNDAI
POWER PRODUCTS



ROBOT LAWNMOWER HYRM1000

Instruction Manual



HYUNDAI POWER PRODUCTS

Thank You For Purchasing Your HYUNDAI Product

We work very hard to give all of our customers the best possible service. If you have any problems, before leaving negative feedback, please contact us to give us a chance to resolve the issue.

We would be delighted if you left us positive feedback!
Thank you for purchasing this product.

Rated **Excellent** on ★ Trustpilot

This manual has been produced by Hyundai Power Products and should be kept with the product. Please read and understand these instructions before you use your product. Failure to do this may result in personal injury or damage to the product.

The safety precautions and warnings are to ensure your safety and protect you from harm or damage to the product.

The information contained in this manual was accurate at the time of production, however HYUNDAI Power Products may make modifications to the product without notification.

GENPOWER LTD
Isaac Way, London Road,
Pembroke Dock, UNITED KINGDOM, SA72 4RW
T: +44 (0) 1646 687 880 F: +44 (0) 1646 686 198
E: info@hyundaipowerproducts.co.uk
www.hyundaipowerproducts.co.uk

Contents

Important Information.....	4	Lawn Setup.....	21-33
Symbols On The Machine.....	5	Set Mowing Pattern.....	31
General Safety.....	6-11	Set Edge Cutting.....	31
Understand Your Machine.....	6	Set Spiral Cutting.....	32
Personal Safety.....	6-7	Manual Mode Setting.....	32
Inspect Your Machine.....	7	Operating In Auto Mode.....	32
Work Area.....	8	Auto Mode Operation.....	32
During Use.....	8-9	Operating In Manual Mode.....	32
Electrical Safety.....	9	Manual Mode Operation.....	33
Batteries.....	9	Diagnostics.....	34
Vibrations.....	10	Check Signal.....	34
Noise.....	10	Mowing Motor Test.....	34
Personal Protective Equipment.....	11	Test Wheel Motor.....	34
Getting Started.....	12-15	Test Startpoint.....	34-35
Getting To Know The Machine.....	12-14	System Setting.....	35
Assembly Safety.....	15	Date And Time.....	35
Unboxing Safety.....	15	Password Setting.....	35
Unboxing.....	16-18	Sensitivity Setting.....	35
Assembly.....	19-21	Factory Reset.....	35
Preparations.....	19	Language Setting.....	35
Dock Station Installation.....	19	Full Menu Diagram.....	36
Connecting The Dock Station.....	20	Mowing Startpoints.....	37
Charging The Battery.....	21	Maintenance & Care.....	38-40
Installation.....	21-26	Daily Maintenance.....	38
Installing The Boundary Wire.....	21	Cleaning.....	39
Obstacle Instruction.....	24	Blade Replacement.....	39
Connecting The Boundary Wire.....	25	Winter Storage.....	40
Checking The Installation.....	26	After Storage.....	40
Linking The Mower To The Charging Station.....	26	Spare Parts.....	40
Using The Lawnmower.....	27-29	Specification.....	41
Wake Up An Uncharged Battery.....	27	Recycling And Disposal.....	42
Before Each Use.....	27	Our Product Range.....	43
Starting Procedure.....	27	Useful Information.....	44
Stopping Auto-Mower.....	27	Our YouTube Channel.....	44
Stopping Procedure.....	27	Warranty.....	44
Adjusting Cutting Height.....	28	Manual Updates.....	44
Control Panel.....	28	Returning Your Product.....	44
Select Button.....	29	Leaving A Review.....	44
Number Buttons.....	29	Ordering Spare Parts.....	44
Function Buttons.....	29	Notes.....	45
Main Menu.....	29	Contact Us.....	46
Work Timer.....	30	Declaration Of Conformity.....	47

Contact Us



www.hyundaipowerproducts.co.uk



01646 687 880



aftersales@hyundaipowerproducts.co.uk

Important Information

As soon as you have purchased the machine, we recommend that you fill out the following. If you need to contact an authorised dealer or customer service for information on servicing, you may need to provide the following information.

The model number and serial number can be found on the grey specification sticker on the machine.

Date Of Purchase:

Dealer Name:.....

Dealer Phone:.....

Model Number:.....

Serial Number:.....

You can keep a record of your PIN below:

If you do forget your PIN, please contact aftersales for help.

IMPORTANT: DON'T FORGET TO REGISTER YOUR 2 YEAR HYUNDAI WARRANTY WITHIN 30 DAYS OF PURCHASE.
<https://www.hyundaipowerproducts/warranty>

Symbols On The Machine

These symbols represent important information about the product or instructions on its use.



CAUTION!

Handle carefully. Ignoring the safety signs and warnings applied on the machine as well as ignoring the security and operating instructions can cause serious injuries and even lead to death.



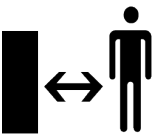
INSTRUCTION MANUAL

Read and understand operator's manual before using the machine. Failure to follow instructions could result in death or serious injury.



BE AWARE

Objects may be thrown while in use.



DANGER AREA

Keep away from the danger area.



DANGER!

Keep hands and feet away from cutting parts.



READ INSTRUCTIONS

Always turn engine off and read instructions before carrying out any repair or maintenance.



DANGER!

Do not ride or sit on the lawn mower.



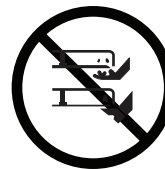
DANGER!

Do not use sharp tools to clean mower.



DANGER!

Be careful when cleaning not to damage the mower.



DANGER!

Keep hands and feet away from cutting parts.



RECYCLING AND DISPOSAL

This marking indicates that this product should not be disposed with other household wastes. To prevent possible harm to the environment or human health from uncontrolled waste disposal, recycle it responsibly to promote the sustainable reuse of material resources. To return your used device, please use the return and collection systems or check with your local authority or local stores for advice or environmental safe recycling.



General Safety



⚠ WARNING : READ THE INSTRUCTION BOOKLET THOROUGHLY BEFORE USING THE MACHINE. Keep for future reference and pass it on if the machine is loaned or sold to another user.

⚠ Understand Your Machine

- **WARNING!** You must read these instructions carefully before operating the machine. Make sure that you are familiar with the controls and properly operate the machine. You must learn how to stop the machine quickly. If you do not follow the warnings and instructions, it may result in fire and/or serious injury. Make sure to save all warnings and instructions for future reference.
- Read this manual and labels affixed to the machine, battery and dock station to understand its limitations and potential hazards.
- Be thoroughly familiar with the controls and their proper operation. Know how to stop the machine and disengage the controls quickly.
- If the unit is to be used by someone other than original purchaser, or is to be loaned, rented, or sold, always provide this manual and any needed safety training before operation. The user can prevent and is responsible for accidents or injuries that may occur to themselves, to other people, or to property.
- Do not force the machine beyond its limits. Use the correct machine for your application.
- Know how to stop the machine quickly in case of emergency. Understand the use of all controls.
- ALL MAINTENANCE other than that listed in this manual, should be carried out by professionally trained and certified personnel.

⚠ Personal Safety

- **WARNING!** Never allow children or people unfamiliar with these instructions to use the product. Local regulations can restrict the minimum age of the operator.
- Keep children, pets, and other people not using the unit away from the work area. Be alert and shut off the unit if anyone enters the work area. Keep children under the watchful care of a responsible adult.
- Stay alert, watch what you are doing and use common sense when operating the machine. Never operate the machine when unwell or tired, or if you have taken alcohol, medicine, drugs or any substances which may slow your reflexes and compromise judgement. A moment of inattention while operating the machine may result in serious personal injury.
- Appropriate Personal Protective Equipment (PPE), **MUST** be worn at all times when operating or repairing the machine. Always wear anti-slip and resistant work footwear and long trousers while using the machine. Do not use the machine when barefoot, wearing sandals or similar lightweight footwear. Do not wear chains, bracelets or clothing that is loose fitting or hanging ties or cords. Tie long hair back. Always wear protective earplugs. Loose clothes, jewellery, or long hair can be caught in moving parts. Protect eyes, face, and head from objects that may be thrown from the unit. Always wear safety goggles or safety glasses with side shields when operating.
- Always keep hands and feet away from all moving parts during operation. Moving parts can cut or crush body parts.

General Safety

- Always keep hands and feet away from all pinch points.
- Do not touch parts that might be hot from operation. Allow parts to cool before attempting to maintain, adjust, or service.
- Never place any part of your body where it would be in danger if movement should occur during assembly, installation, and operation, maintenance, repairing or moving.
- Start the machine carefully according to instructions and with feet away from the moving parts.
- Do not place your hands or feet near or under rotating parts. Keep away from any discharge openings.
- Keep in mind that the operator or user is responsible for accidents, hazards or unexpected events involving the machine that occur to other people or their property. It is the responsibility of the user to assess the potential risk of the area where work is being carried out. The operator or user must take all necessary precautions to ensure their own safety and that of others, especially on slopes or rough, slippery and unstable ground.
- Avoid accidental starting. Be sure the machine is off before transporting the machine or performing any maintenance or service on the unit. Transporting or performing maintenance or service on a machine with its switch on invites accidents.
- If the machine should start to vibrate abnormally, stop the machine and check immediately for the cause. Vibration is generally a warning sign of trouble. For example, one of the blades may be missing.
- Do not tamper with or disable safety systems.
- Only use manufacturer-recommended attachments.
- Before using, always visually inspect to see that the blades are not worn out or damaged. Replace worn out or damaged elements and bolts in set to preserve balance.
- Keep all nuts, bolts and screws tight to ensure the equipment is in safe working condition.
- Do not allow the mower to be used with a defective blade or body. Neither should it be used with defective blades, screws, nuts or cables.

Inspect Your Machine

- Check your machine before starting it. Keep guards in place and in working order. Make sure all nuts, bolts, etc., are securely tightened.
- You must check the general condition of the machine before use.
- Never operate the machine when it is in need of repair or is in poor mechanical condition. Replace damaged, missing, or failed parts before using it. Keep the machine in safe working condition.
- Be sure the safety covers are in place.
- Keep the machine in good operating condition. Operating a machine in poor or questionable condition could result in serious injury.
- Be sure all safety devices are in working order and warning labels are in place. These items are installed for your safety.

Contact Us



www.hyundaipowerproducts.co.uk



01646 687 880



aftersales@hyundaipowerproducts.co.uk

General Safety

Work Area

- Make sure you thoroughly inspect the entire work area and remove all objects and anything that could be thrown by the machine or could damage the machine (branches, stones, wire, toys, etc). Attempting to clear the work area whilst using the machine will reduce your concentration and creates a trip hazard. Any liquid spilled on the floor may result in you slipping.
- You must only work in daylight or with good artificial light in good visibility conditions. Keep people, children and animals away from the working area.
- Operate on flat, level ground.
- DO NOT work on wet ground. If there has been heavy rain on the working site, wait until the ground has dried up.
- Never park the machine in a place with unstable ground which could give way.

During Use

- Be aware that the machine may unexpectedly bounce upward or jump forward if the machine should strike buried obstacles such as large rocks or roots.
- Find and locate all fixed objects in the ground, such as sprinkler systems, poles, water valves, bases for washing lines etc. Make sure that you check for hidden electrical cables or similar on the surface of the lawn. ALWAYS run the machine around these objects. NEVER intentionally run the machine over foreign objects.
- You must be careful near ravines, ditches or embankments.
- Pay the utmost attention when working on frozen ground as the machine may tend to skid.

- Do not work in the rain and when there is a thunderstorm or lightning risk. If there is bad weather conditions, do not use the machine.
- You should not operate on a slope more than 30 degrees.
- Before lifting the machine to clear blockages, check, clean, or after striking foreign object, stop the machine and make sure that the blades have come to a complete stop.
- **WARNING!** If something breaks or an accident happens whilst working, you must turn off the machine immediately and move the machine away to prevent further damage. If an accident happens with injuries or third parties are injured, carry out the first aid measures most suitable for the situation immediately and contact the medical authorities for any necessary health care. Carefully remove any debris that might cause damage or harm persons or animals should it not be seen.
- The excessive speed of movement or the absence of maintenance have a significant influence on noise emissions and vibrations. It is necessary to take preventive steps to eliminate possible damage due to high levels of noise and stress from vibration. You must maintain the machine well, wear ear protection and take breaks from working.
- Do not put anything on top of the mower or the dock station.
- The mower does not guarantee full compatibility between mower and other types of wireless systems such as remote controls, radio transmitters, buried electric animal fencing or similar.
- Do not put anything on top of the robotic lawnmower or its charging station.

General Safety

- The robot lawnmower must never be allowed to collide with people or other living beings. If a person or other living being comes into the path of the robot lawnmower, the lawnmower must be stopped immediately.
- Do not allow the robotic lawnmower to be used with a defective blade disc or body. Neither should it be used with defective blades, screws, nuts or wires.
- Do not use the robotic lawnmower if the main switch does not work.
- The robotic lawnmower must never be used at the same time as a sprinkler.
- Metal objects in the ground (for example reinforced concrete can result in a stoppage. The metal objects can cause interference with the loop signal which then can lead to a stoppage.
- Full compatibility cannot be guaranteed between the robotic lawnmower and other types of wireless systems such as remote controls, radio transmitters, hearing loops, buried electric animal fencing or similar.
- It is not permitted to modify the original design of the robotic lawnmower. All modifications are made at your own risk.


Electrical Safety (Where Applicable)

DANGER!

ELECTRICITY CAN KILL – NEVER WORK ON LIVE/ENERGISED EQUIPMENT.

- Prior to carrying out any maintenance work you **MUST** identify electrical isolation methods and isolate all electrical supplies.
- Prior to use and with all electrical supplies isolated, you **MUST** check all electrical cables, plugs and connectors for the following;
 - Are intact and have no signs of damage, to include but not limited to bare wires, chaffing, cuts and loose wiring.
 - If there are any signs of damage, the damaged item **MUST** be taken out of service until the damage has been repaired by an electrically competent person.
- All trailing cables should be routed so as not to cause any kind of trip hazard.
- **NEVER** work on or near electricity with wet hands, wet clothing and wet gloves.

Batteries (Where Present)

 There is an explosion risk if the battery terminals are short circuited, when connecting/disconnecting **ALWAYS** exercise great care so that the terminals or battery leads are **NOT** allowed to touch and cause a spark. **ALWAYS** use suitable insulated tools.

General Safety

Vibrations (Where Applicable)

- Prolonged use of hand held (operated) machines will cause the user to feel the effects of/from vibrations. These vibrations can lead to white finger (Raynaud's phenomenon) or carpal tunnel syndrome. This condition reduces the ability of the hand to feel and regulate temperature, causing numbness and heat sensations and may cause nerve damage and circulatory tissue death.
- Not all factors that lead to white finger disease are known, but cold weather, smoking and other diseases that affect blood vessels and blood circulation as well as large and long-lasting impact of shocks are considered factors in the formation of white finger. Note the following to reduce the risk of white finger and carpal tunnel syndrome;
 - Wear gloves and keep your hands warm.
 - Take regular breaks.
 - All of the above precautions may help reduce the risk of white finger disease but not rule out the carpal tunnel syndrome. Long-term and regular users are therefore recommended to observe the condition of your hands and fingers. Seek medical attention immediately if any of the above symptoms should occur.

Noise (Where Applicable)

- The operating noise of the machine can damage your hearing. Wear hearing protection such as earplugs or ear defenders to protect your hearing. Long-term and regular users are advised to have hearing checked regularly. Be especially vigilant and cautious when hearing ear protection because your ability to hear alarm warnings will be reduced.
- Noise emissions for this equipment is unavoidable. Carry out noisy work at approved times and for certain periods. Limit the working time to a minimum. For your personal protection and protection of people working nearby it is also advisable for them to wear hearing protection.

General Safety

Personal Protective Equipment

Appropriate Personal Protective Equipment (PPE), **MUST** be worn at all times when operating or repairing the machine.



HAND PROTECTION MUST BE WORN

Protective electrically non-conductive gloves are highly recommended when working.



FOOT PROTECTION MUST BE WORN

Non-skid heavy duty footwear are highly recommended when working.



HEARING PROTECTION MUST BE WORN

Suitable safety hearing protection is recommended.



EYE PROTECTION MUST BE WORN

Always wear safety glasses/goggles and/or face shields. Everyday eyeglasses have only impact resistant lenses; they are not safety glasses/goggles.



PROTECTIVE CLOTHING MUST BE WORN

Do not wear loose clothing, gloves, scarfs, neckties or jewellery (rings, wrist watches), which can be caught in moving parts.



HEAD PROTECTION MUST BE WORN

Wear a safety helmet with a safety visor.



FACE SHIELD MUST BE WORN

Wear a face shield to protect your face.



RESPIRATOR MUST BE WORN

Wear a respirator.



Getting Started

Getting To Know The Machine

Description

The HYRM1000 is a robotic lawn mower from HYUNDAI. The HYRM1000 has a cutting width of 180mm / 18cm and is powered by a rechargeable battery. It is recommended for lawns up to 500m². This depends on the condition of the blades, the type of grass, the growth rate, humidity and the shape of the garden. The length of time the lawnmower runs and recharges will depend will vary due to the ambient temperature. Up to 25°C, a fully charged battery will mow for approximately 90-120 minutes (2.6A battery). This depends on the age of the battery and the thickness of the grass.

This machine is a garden tool. The machine is manufactured according to the latest safety requirements. Every precaution is only effective when it is followed exactly.

Intended Use

The basic version of the equipment is a lawn mower intended for private use, i.e. for use in home and gardening environments.

User Types

This machine is intended for use by consumers, i.e. non professional operators. The machine is intended for "DIY" and domestic use only.

Improper Use

Any other usage not in keeping with the above mentioned ones may be hazardous and harm persons and/or damage things. Examples of improper use may include, but are not limited to:

- transporting people, children or animals on the machine
- letting yourself be transported by the machine
- using the machine to tow or push loads

Mowing Technique

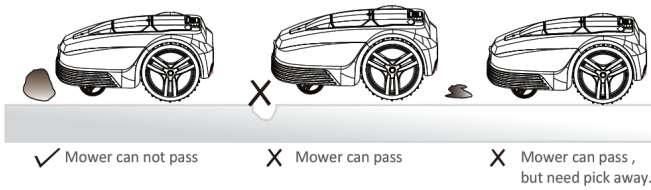
We recommend mowing mainly in dry weather to obtain the best mowing result.

The mower should not be left in the dock station when there is a risk of thunder. When there is a risk of a thunder storm, the adapter plug should be removed from the socket and the Boundary wire disconnected from the dock station. The blades must be in good condition to obtain the best mowing effect. In order to keep the blades lifetime as long as possible, it is important to keep the lawn free from branches, small stones and other objects.

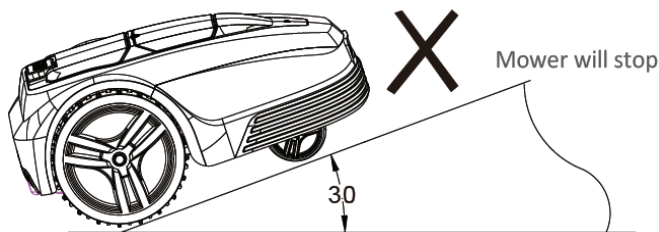
Working Method

- The mower automatically mows the lawn. It continuously combines mowing and charging.
- The charging station sends out a signal that the mower can sense. It starts to search for the charging station when the battery power is low, which is only carried out in AUTO mode and not MANU mode. Mower does not mow when searching for the dock station.
- When the mower hits an obstacle higher than 6cm, the mower reverses and selects a new direction.
- The mower can work in zig-zag, random, spiral and edge cutting modes.

Getting Started

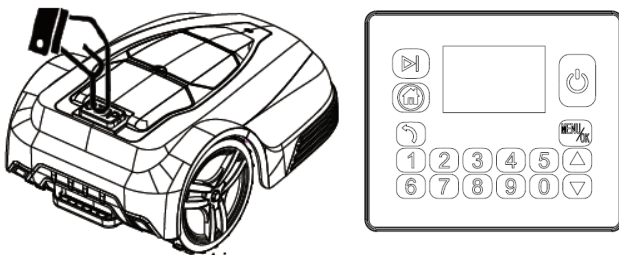


- When the rain is too heavy, the mower will stop working and go to the station.
- If the slope is more than 30°, the mower will stop and the mowing motor will stop in one second.

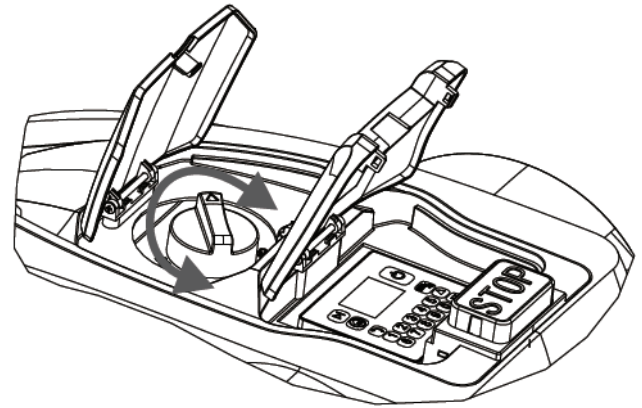


- The STOP button in the back of the mower is used to stop the mower during its mowing. When the control panel cover is open, you must close it to start the mower again.

Stop Button



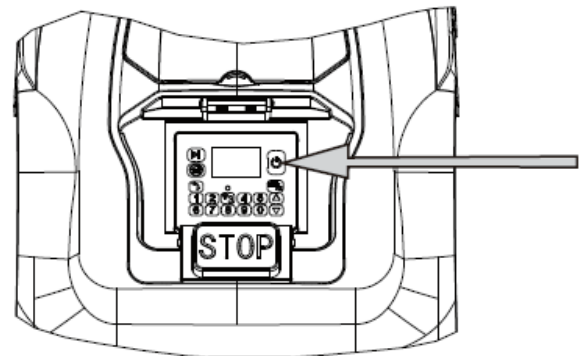
- You can manage the mower's program by the control panel under the control panel cover.
- Under the front cover there is a knob: rotate clockwise to increase cutting height and counter-clockwise to reduce cutting height.



- If you power on the mower, you must close the cover, then the mower will start to cut.
- If the power is on and the cover is open, the mower will power off after 6 minutes.

Power Switch

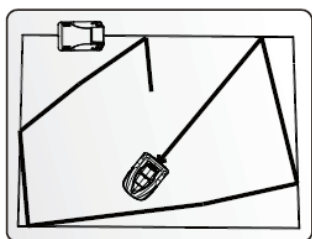
If you press the button for 2 seconds, the mower will power on, and if you long press again, the mower will power off.



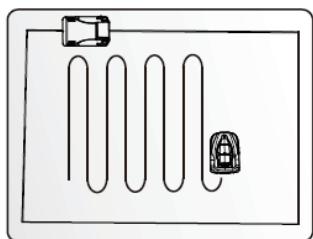
Getting Started

Mowing Pattern

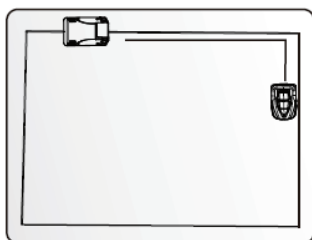
The mower's movement pattern has four modes: random, zig-zag, edge and spiral. These patterns can be set by the display. If the mower enters an area where it senses the grass is high and dense, it will lower the mowing speed. If the grass is normal, the speed will return to the normal speed.



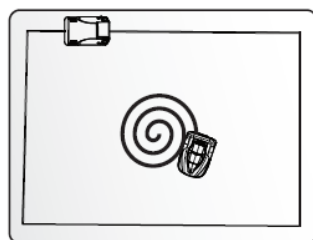
Random



Zig-Zag



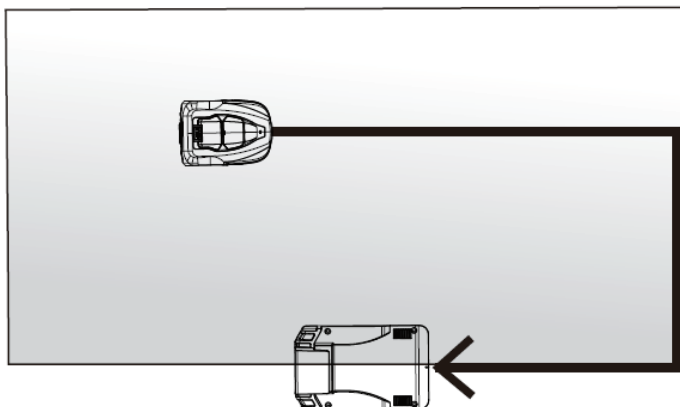
Edge



Spiral


Search Method

The mower runs irregularly until it reaches the boundary wire. The mower then follows the boundary wire back to the dock station in AUTO mode. Please check there is no obstacles around the boundary wire.




Getting Started

Unboxing Safety

 **WARNING!** Unboxing and assembling the machine should be done on a flat, stable surface with enough room. Disposal of the packaging should be done in accordance with the local regulations in force.

Carefully remove the product from the packaging and examine it for any sign of damage caused during shipping. Lay the contents out and check them. If any part is damaged or missing, you must not use the machine. Contact HYUNDAI Power Products immediately. You must keep the packaging material in case the machine needs to be returned or repaired.


 **WARNING!** Some of the packaging material may be harmful to children. Keep out of reach of children.


Before You Start


Before you start, you will need:

1. Straight spade for burying wire.
2. Wooden hammer for the nails.

Assembly Safety

 **CAUTION** - This guide is meant to serve as a quick reference for operating your HYUNDAI machine. We always advise reading the manual in full before operation.

 **NOTE** - Images may vary depending on model.

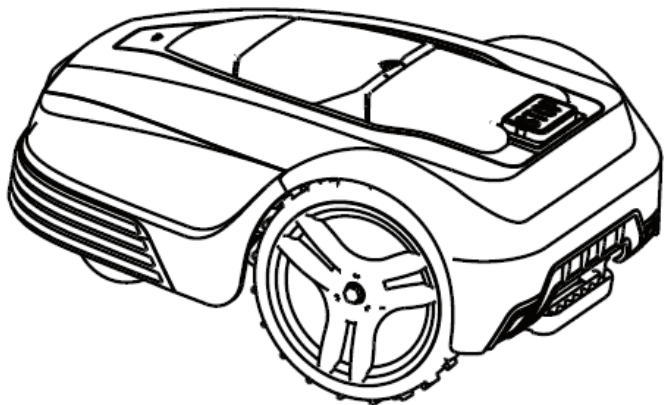
 **NOTE** - The machine can be supplied with some parts already assembled. Prior to assembly, check all items have been received.

Unboxing

Contents

1. Lawnmower

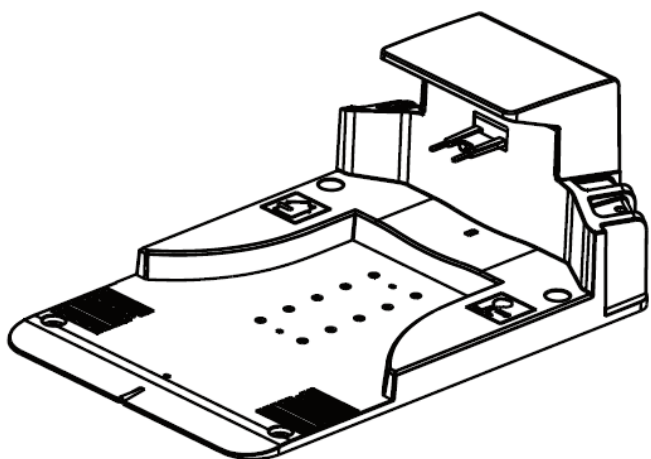
An automatic lawnmower that mows the lawn by moving in an irregular pattern or zig-zag pattern. The mower is powered by a rechargeable battery.



2. Dock Station

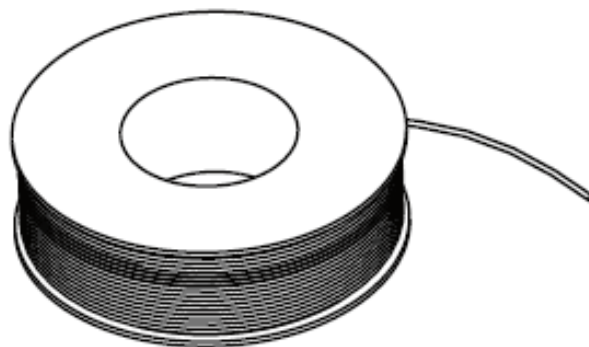
Where your mower returns when the battery is low. The dock station has three functions:

- To send a control-signal to the boundary wire.
- To send an avoid-signal around the station, so the mower can find the dock station.
- To charge the battery.



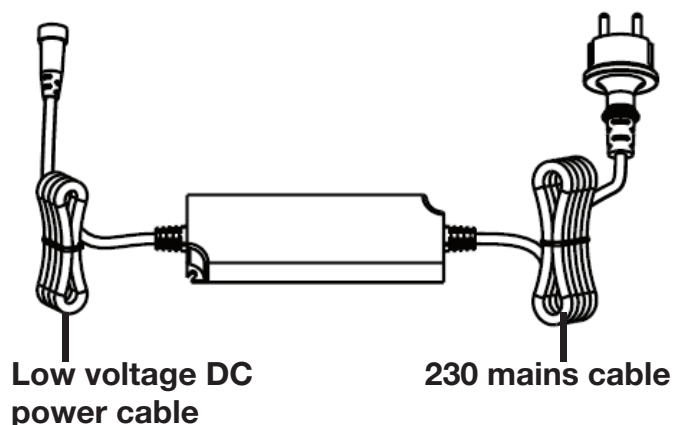
3. Boundary Wire

Laid in a loop around mower's working area. The boundary wire is laid around the edges of the lawn and around objects and plants, so the mower stays within the boundary. The wire is also used for guiding the mower to the dock station.

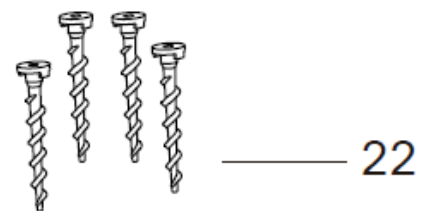
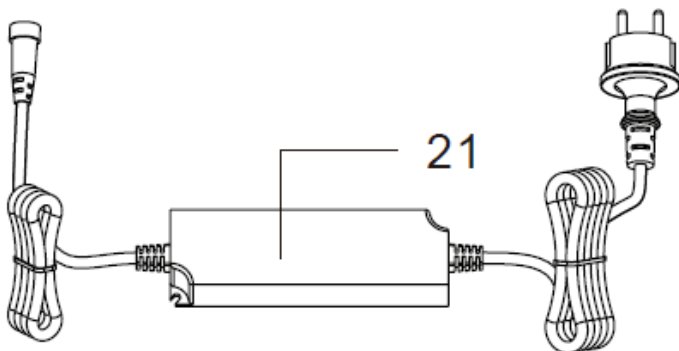
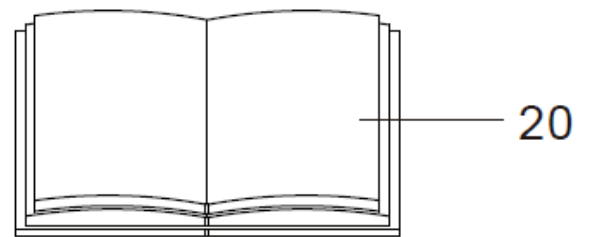
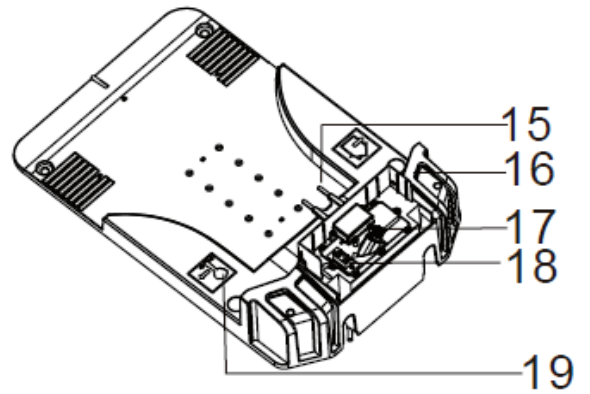
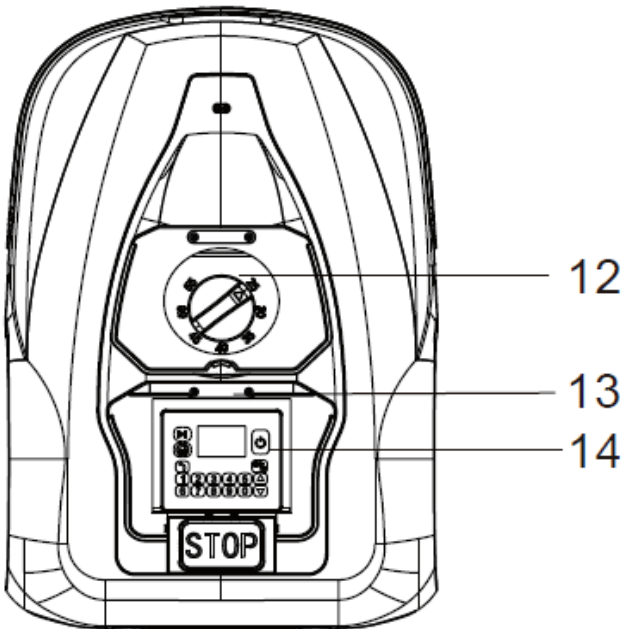
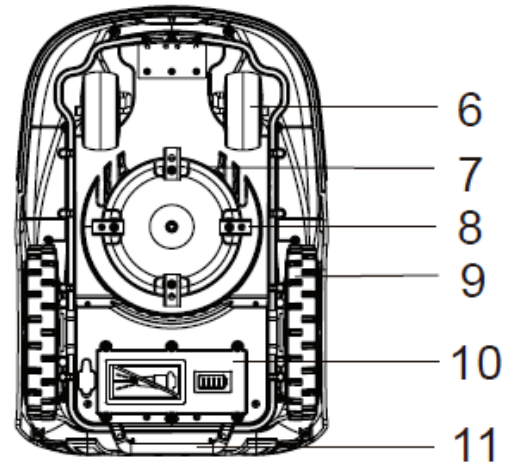
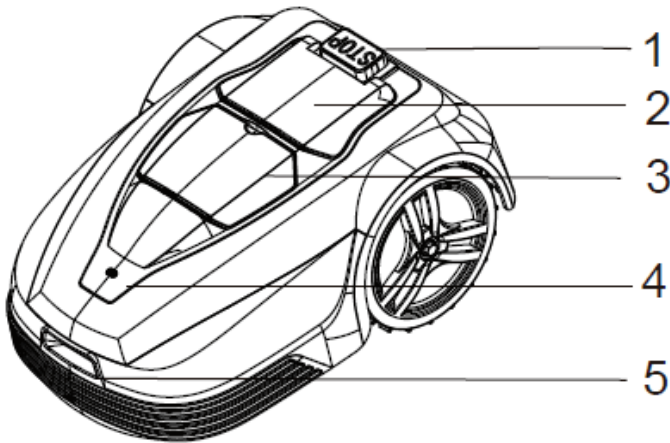


4. Power Adapter

Connected between the dock station and a 100-240V wall socket, the adapter is connected to the wall socket and to the dock station with a built-in power cord.



Unboxing



Contact Us

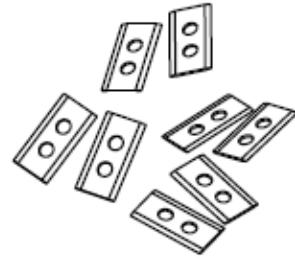
Unboxing



23



24



25



26



27

- 1 - Emergency button
- 2 - Control panel cover
- 3 - Height adjuster cover
- 4 - Rain sensor
- 5 - Charging socket
- 6 - Front wheel
- 7 - Blade plate
- 8 - Blade
- 9 - Rear wheel
- 10 - Battery cover
- 11 - Handle
- 12 - Cutting height adjuster
- 13 - LCD display
- 14 - Keyboard

- 15 - Charging connector
- 16 - Indicator light
- 17 - Power connector
- 18 - Boundary connector
- 19 - Dock station base
- 20 - Operator's manual
- 21 - Power adapter
- 22 - Screws for dock station
- 23 - Pegs for boundary wire
- 24 - Installation ruler
- 25 - Spare blades
- 26 - Boundary wire
- 27 - Allen wrench

Assembly

Preparations

Before installation, we recommend doing a sketch of the working area, including all obstacles. This makes it easier to see the ideal positions for the dock station and boundary wire.

STEP 1

If the grass in the proposed working area is taller than 10cm, please mow it using a traditional lawnmower. Then collect the clippings.

STEP 2

Check that all parts for the installation are included:

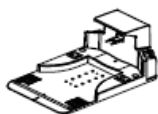
1. Operator's manual
2. Machine
3. Dock station
4. The boundary wire
5. Screws
6. Installation ruler
7. Power adapter
8. Pegs for boundary wire
9. You will also need a hammer for the pegs, a straight spade for burying wire and nails. These items are not included.



1



2



3



4



5



6



7



8



9

Dock Station Installation

STEP 1

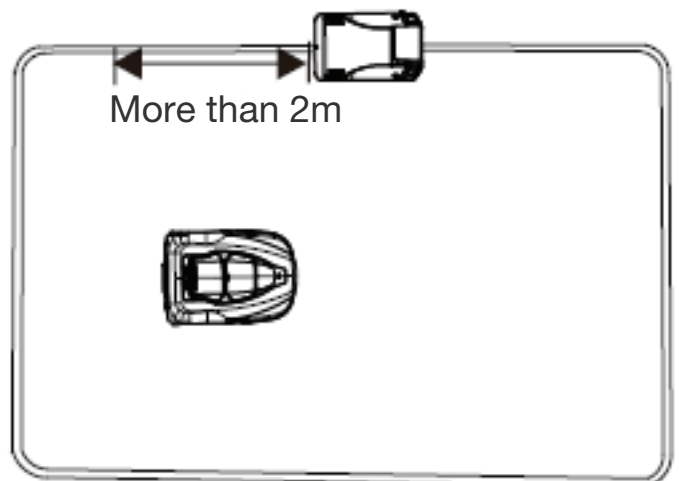
Select position of the dock station.

STEP 2

The dock station must be positioned with free space in front of it (minimum 2m).

STEP 3

The dock station must be positioned on relatively level ground. The front end of the dock station must not be positioned higher than the back end. The height difference must not be more than 2cm.



STEP 4

It is a good idea to place the dock station in the shade. The battery is spared if it is charged in the lowest possible ambient temperature.

STEP 5

The dock station must not be positioned in a way that can bend its base plate.



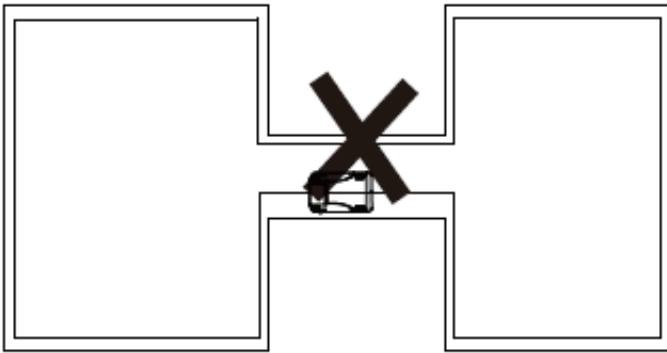
Assembly

STEP 6

The low voltage cable (from transformer to charging station) may cross the working area. It must be either pegged down or buried. In some cases there is a better positioning option for the dock station, for example, close to a house wall.

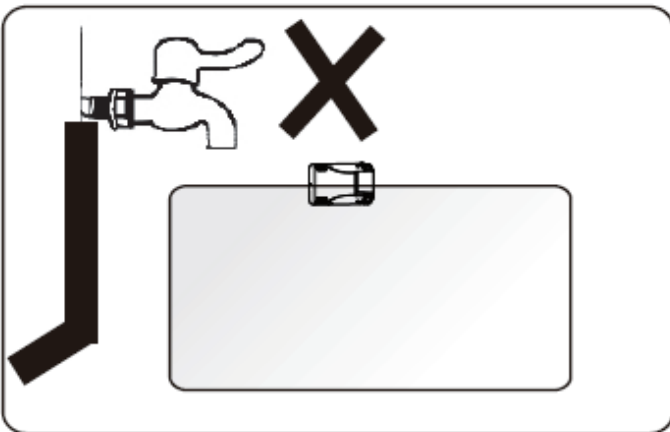
STEP 7

Avoid placing the dock station in a narrow passage (narrower than about 2m).



STEP 8

Avoid placing the dock station near a water tap.



STEP 9

Avoid the power adapter being exposed to direct sunlight.

STEP 10

Make sure the dock station entrance is pointing in a counter-clockwise direction. To allow the mower to travel back to its base in a clockwise direction for battery charging.

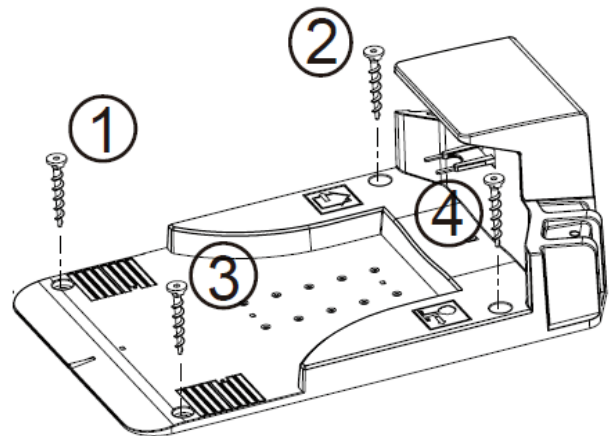
Connecting The Dock Station

STEP 1

Place the dock station in a suitable position.

STEP 2

Secure the dock station to the ground using the large screws supplied. (1,2,3,4).



! CAUTION

Do not secure the dock station to the ground with screws before boundary wire and adapter cable connected with dock station.

STEP 3

Connect the low voltage cable to the dock station.

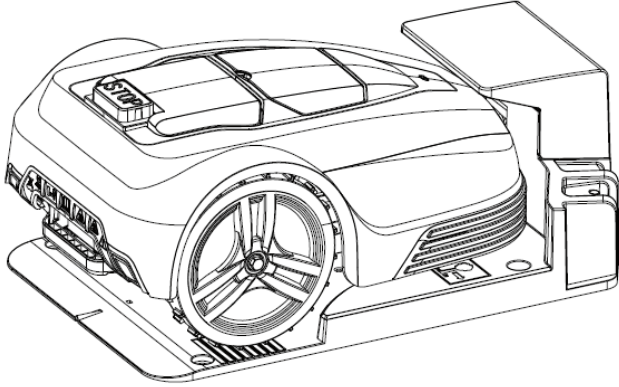
STEP 4

Connect the power adapter power cord to a 100-240V wall socket.

Assembly & Installation

Charging The Battery

The mower is supplied with a partially charged battery. As soon as the dock station is connected, you can charge the battery.



Installing The Boundary Wire

STEP 1

If you want to adjust the boundary wire in the future then it is preferable to peg down the boundary wire, water the area to make it easier to insert the pegs.

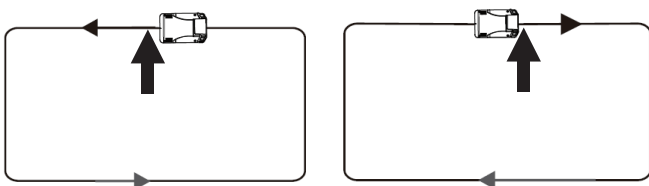
STEP 2

If you don't want to insert the pegs, you can bury the wire 15mm below the surface, or you can combine both methods.

STEP 3

Laid in a loop around mower's working area. It is preferable to begin burying wire from one end of the dock station, then the boundary wire round the working area, to the other end of dock station.

Lay the cable from here: Or from here:



STEP 4

The boundary wire should be laid 35cm from the area edge, obstacle, fence, flower bed etc. This will prevent the mower from colliding with the obstacle and will reduce the lawnmower body wear.

STEP 5

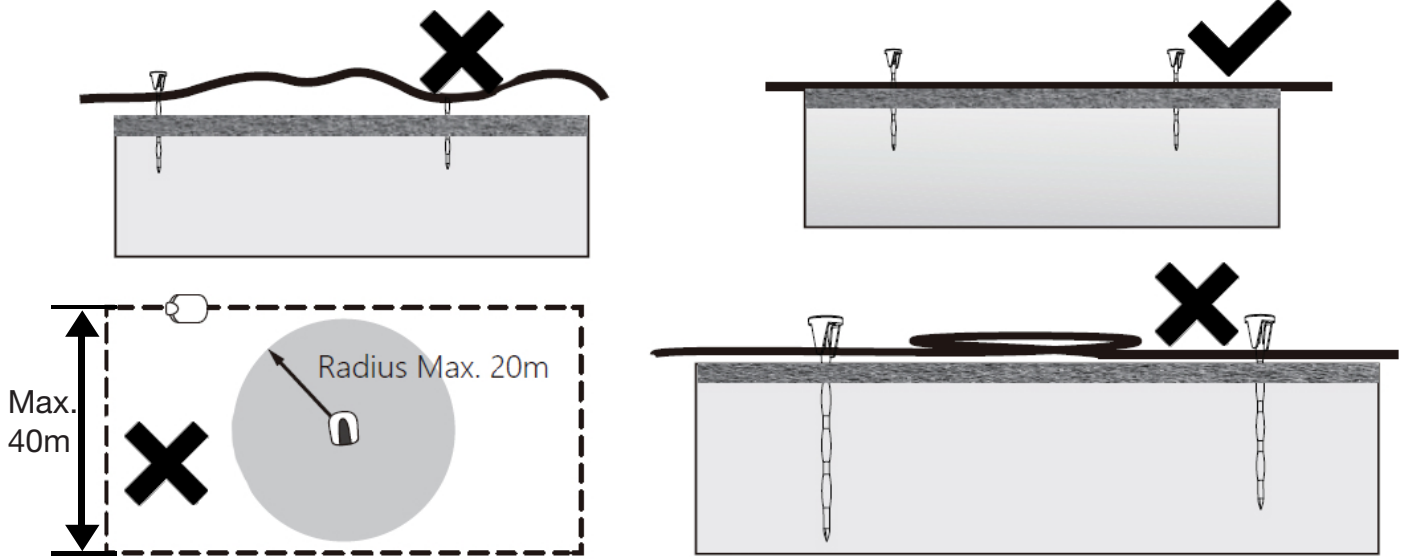
When there are several working areas, the width of the passage connecting the areas must be over 1.2m. Otherwise, it is difficult for the mower to move into another area. If you have a swimming pool, please leave 2m between the edge and the limit as a path.

STEP 6

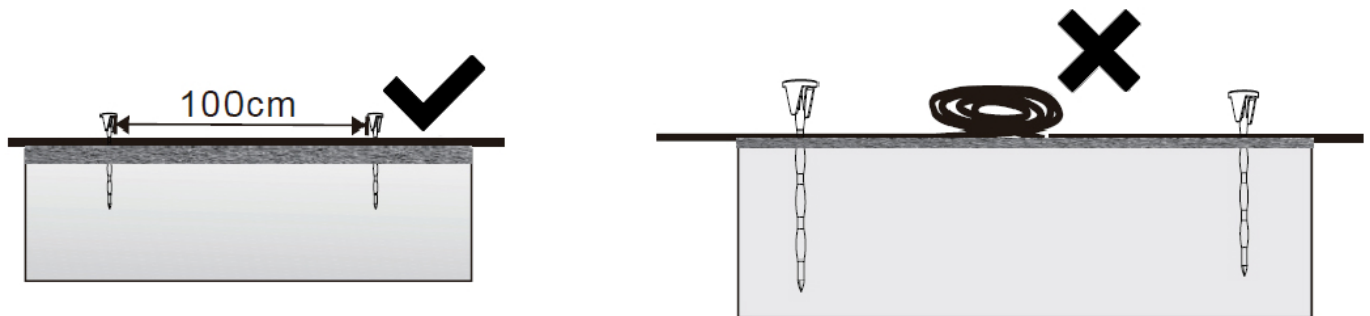
At the corners, do not lay the boundary wire at a sharp or right angle. Make sure it has a 35cm space from the wall or other obstacles; an arc with a radius at least 50cm is preferable.

On the next page is a general guide line map showing how to install the lawnmower including placement of the dock station and installation of the boundary wire.

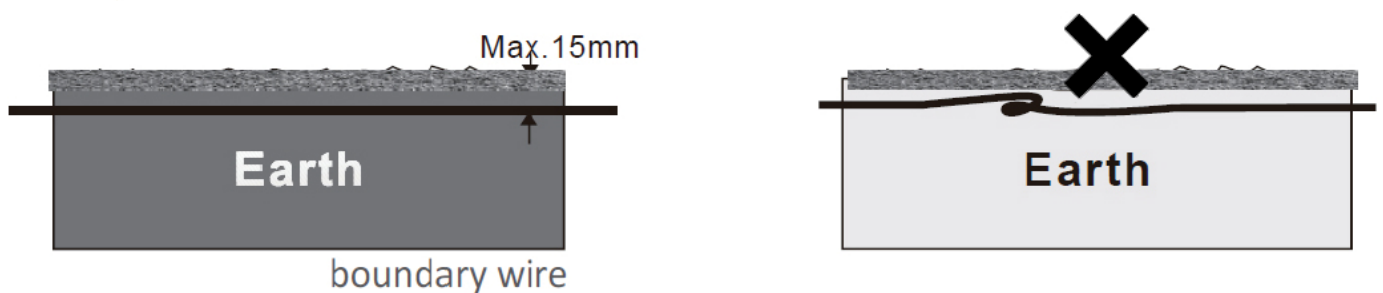
Installation



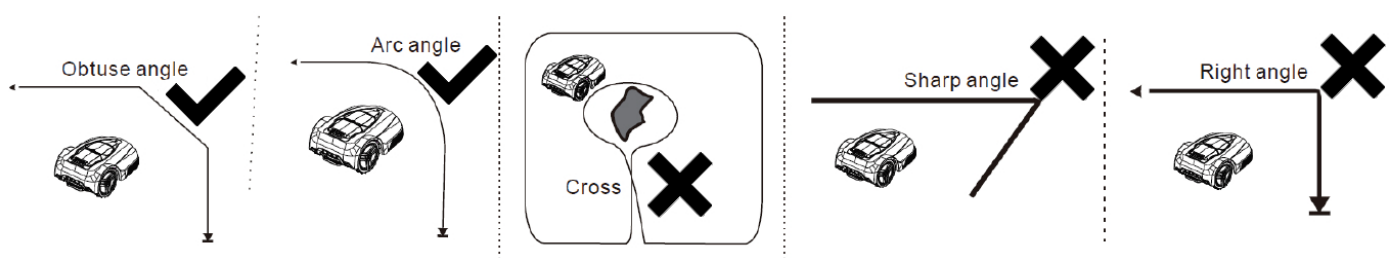
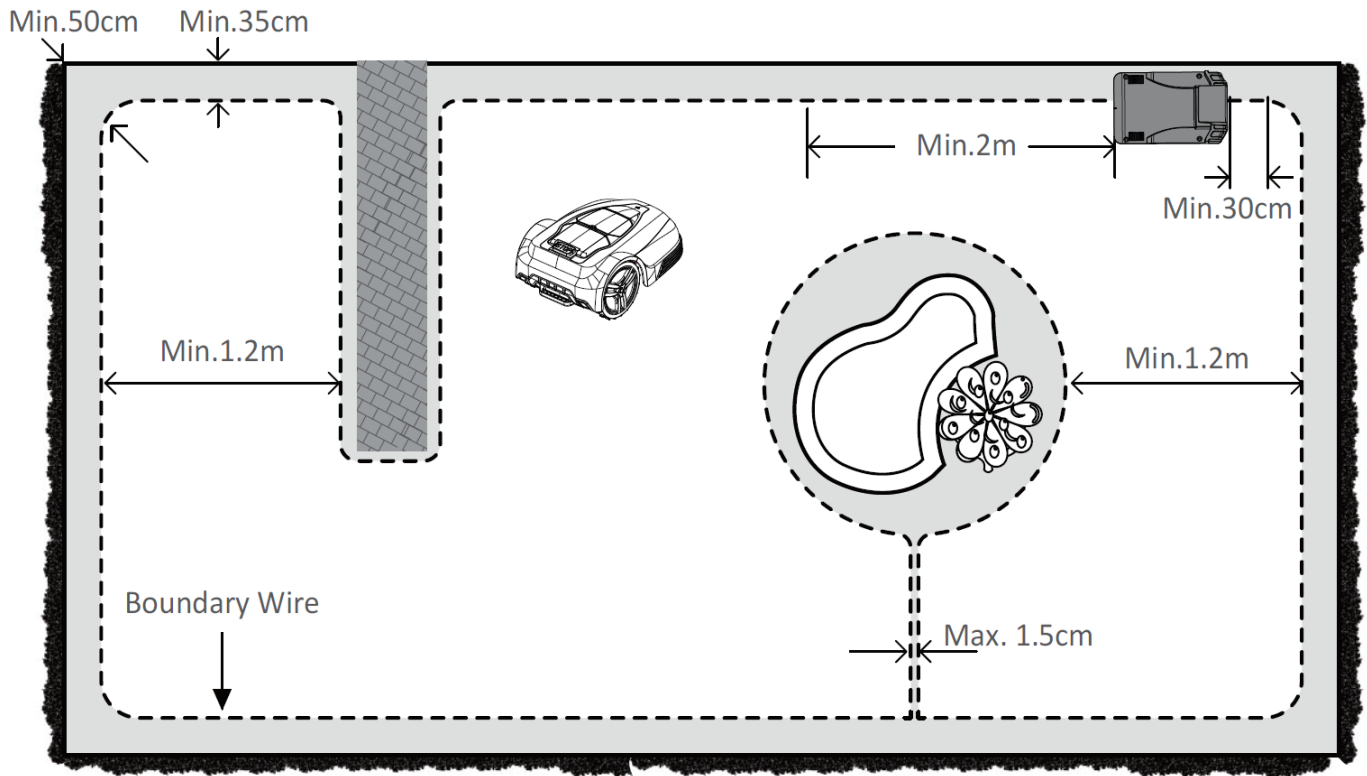
- Use a wooden hammer to knock the pegs in the ground. Take care when hammering pegs and make sure the wire is flat on the lawn; the distance between pegs should be approximately 100cm. At corners, the distance between pegs should be 30-50cm.
- Do not let the boundary wire loop around itself.



- If you intend to bury the boundary wire, make sure to place the boundary wire between 1mm and 15mm into the ground; the boundary wire should not be looped under the ground.



Installation



Contact Us



www.hyundaipowerproducts.co.uk



01646 687 880

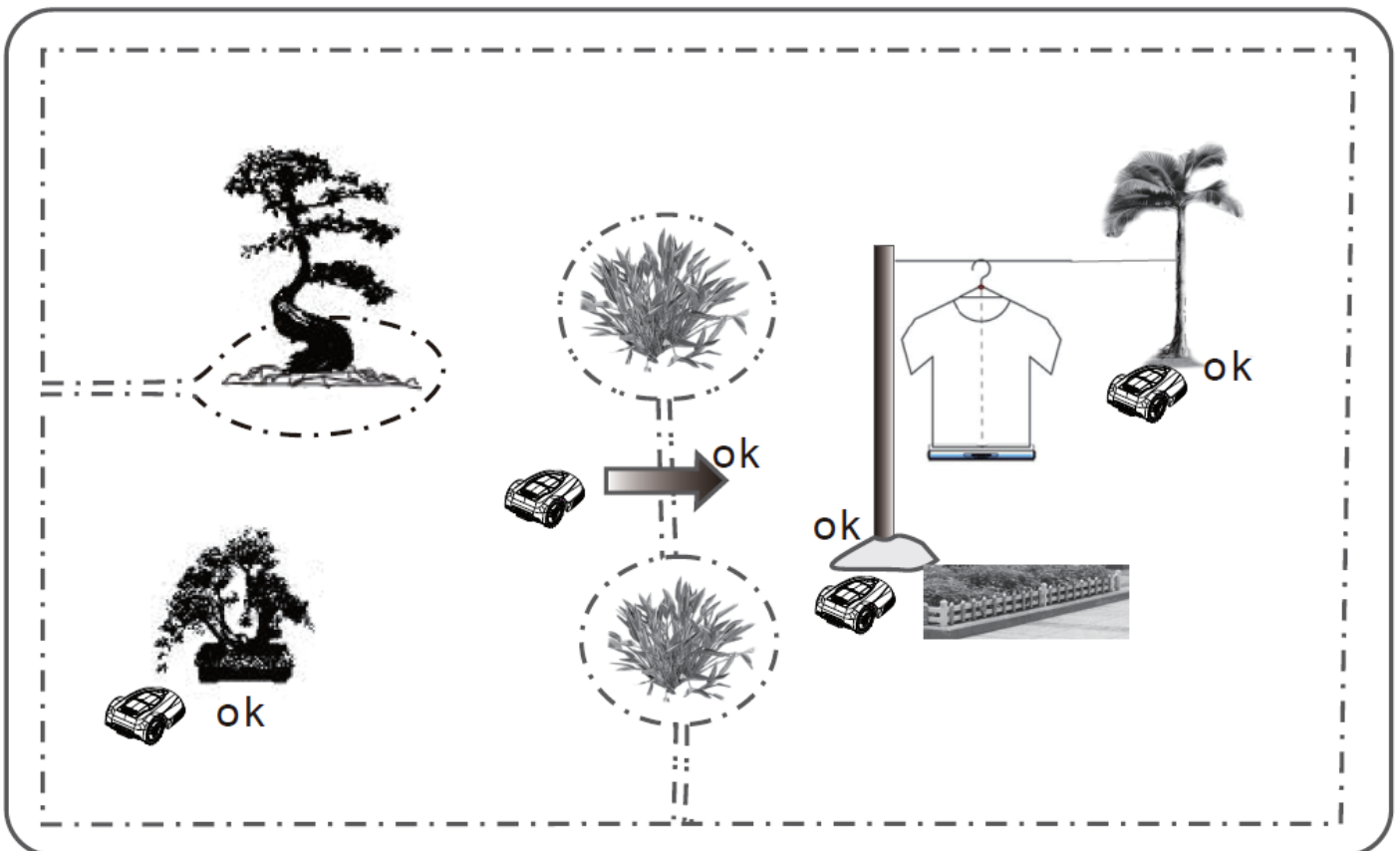


aftersales@hyundaipowerproducts.co.uk

Installation

Obstacle Instruction

- Big trees, poles, flower beds, etc can be an obstacle for the mower and prevent you burying the boundary wire.
- If flowers should not be mowed, use the boundary wire to protect them.
- A big tree with roots that can be an obstacle for the mower should be protected by burying the boundary wire.



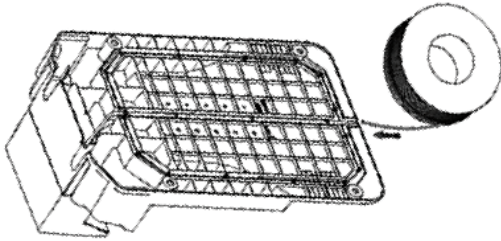
- Make sure to lay the boundary wire tight to the ground. If the boundary wire is loose or looped on the ground, the mower will cut the wire and signal may not be strong enough for the mower to receive. The lawn mower can detect the signal from the boundary wire within a 20m radius.

Installation

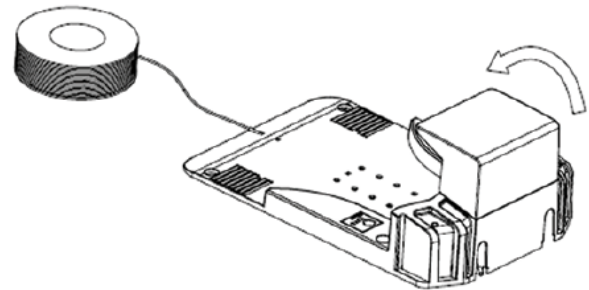
Connecting The Boundary Wire

STEP 1

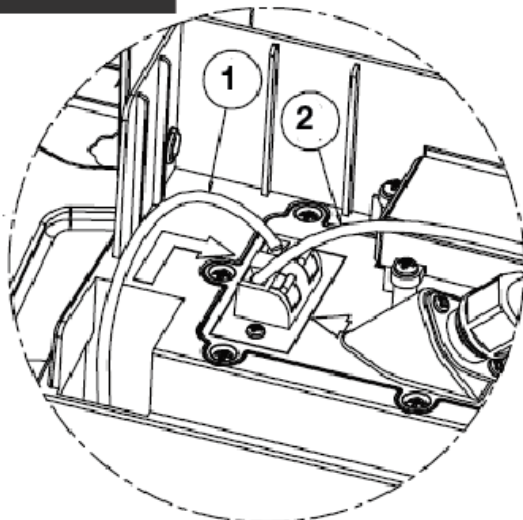
Clip wire to underside of charging station.



STEP 2



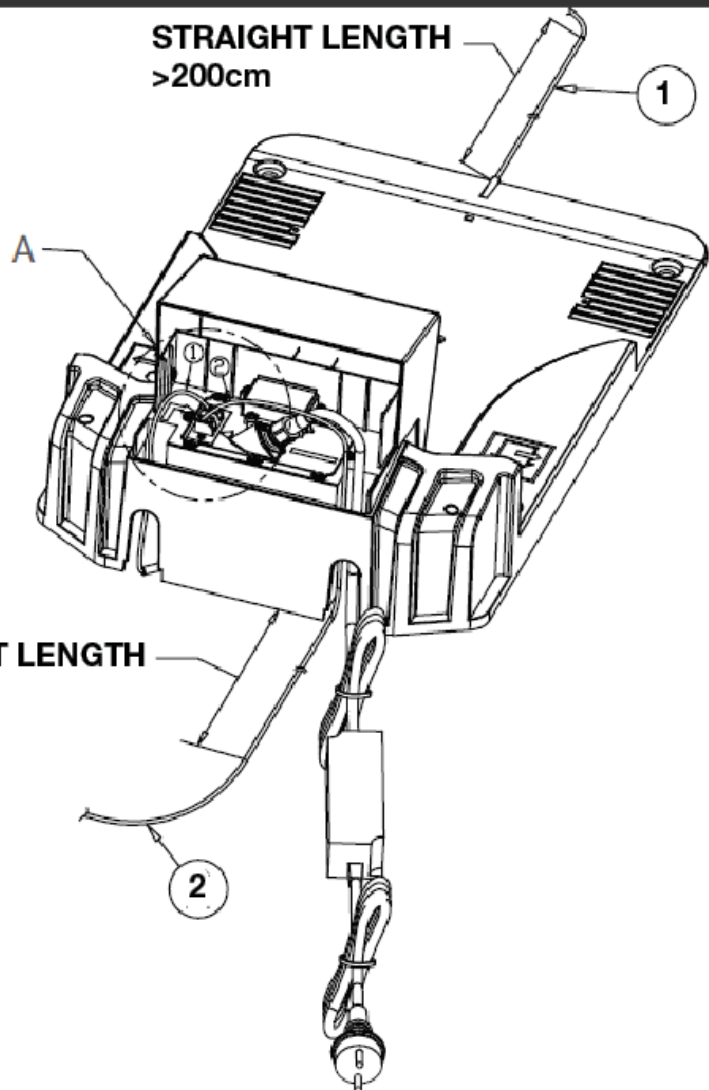
STEP 3



VIEW A

Please Note
It is important to connect
wires 1 and 2 as shown
above.

STRAIGHT LENGTH
>30cm



STEP 4

Secure the dock station to the ground using the supplied plastic screws and allen wrench.

Contact Us

Installation

Checking The Installation

Verify the loop signal by checking the LED indicator on the dock station.

Flashing blue and red light = Good boundary wire circuit.

Continuous red light = Boundary cable circuit is broken.

Flashing red light = Charging station faulty.

Linking The Mower To The Charging Station

STEP 1

Open the control panel cover by pressing the STOP button.

STEP 2

Place the mower into the charging station and check charging information on the LCD control panel.

STEP 3

The mower will beep until the panel cover is closed.

Using The Lawnmower

Wake-Up An Uncharged Battery

When the lawn mower is new or has been stored for a long period, the battery must be charged before starting. Charging takes approximately 2 hours.

Charging information is shown on the display during the entire charging process.

Before Each Use

In order to improve the mower's quality, please use the timer to start the mower to cut lawn every other day.

Always ensure that the machine is in a safe working condition. Inspect the machine, check safety devices and guards and check all nuts, bolts and screws are secure.

Starting Procedure

STEP 1

Press the red STOP button to open the control panel cover.

STEP 2

Press power switch.



STEP 3

Enter the password.

STEP 4

Set the start mode.



STEP 5

Press start button.



STEP 6

Press MENU/OK button.



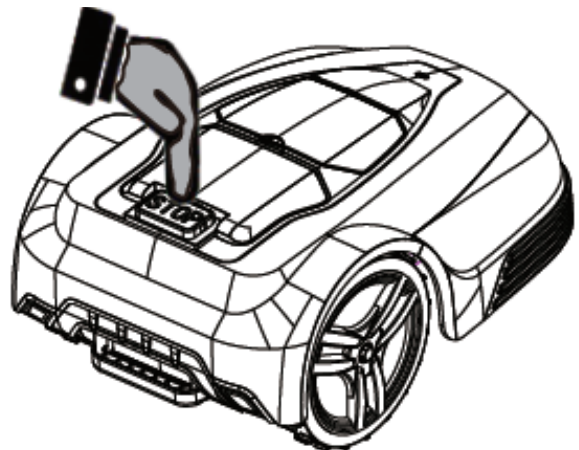
STEP 7

Close control panel cover. The mowing message is shown on the display, the blades turn and then the driver wheel will run.

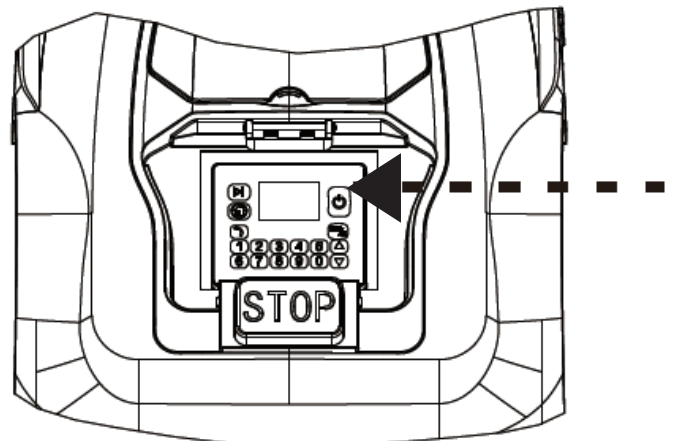
Stopping Auto-Mower

Press the red STOP button, the mower will stop, the blade motor stops in one second, and the control panel cover opens.

Stop Button



Stopping Procedure



1. Press the STOP button.
2. Long press and hold the power switch until the display is blank.

Contact Us

Using The Lawnmower

Adjusting The Cutting Height

The cutting height can be adjusted from MIN. (2.5cm) to MAX. (5.5cm). If the grass is long it is appropriate to let the mower start mowing at the MAX. cutting height. Once the grass is shorter, you can gradually lower the cutting height by 1cm every few days.

To Adjust The Cutting Height

STEP 1

Press the STOP button to stop the mower.

STEP 2

Lift the front cover, and rotate knob to adjust the cutting height.

STEP 3

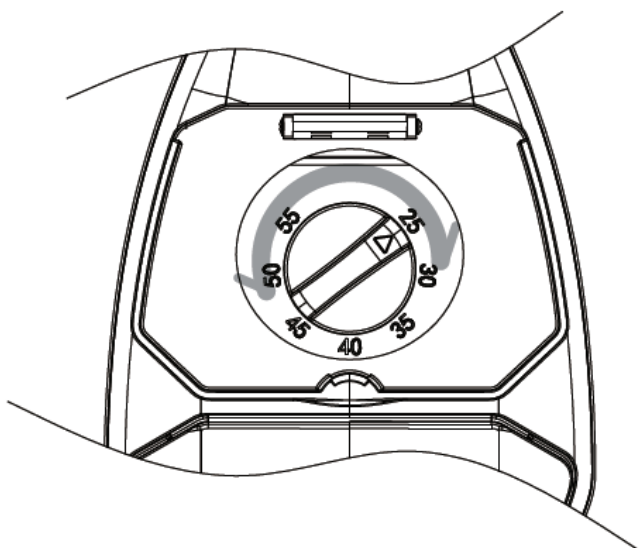
Rotate knob clockwise to increase the cutting height.

STEP 4

Rotate knob counter-clockwise to reduce the cutting height.

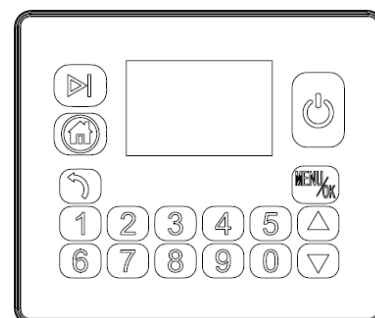
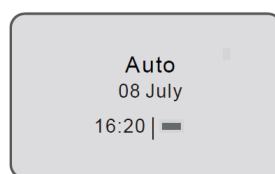
STEP 5

Close the front cover.



Control Panel

- Use the control panel for all commands and settings. All functions are accessed via a number of menus.
- The control panel consists of a display and a keypad. All information is shown on the display and all input is done on the keypad.
- The main menu is the uppermost level of the menu structure.
- The cursor shows which menu has been selected when the MENU/OK button is pressed.
- The clock shows the current time.
- The text AUTO or MAN shows which operating mode has been selected.
- The battery status shows the remaining battery power.
- The keypad consists of three groups of buttons: selection, numbers and power switch.



Using The Lawnmower

Select Button

Return:

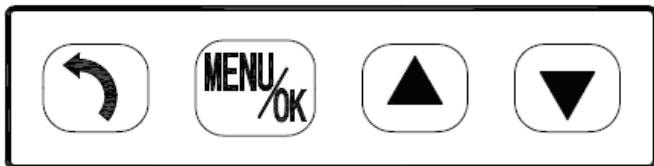
Press to go back one step in the menu structure, or to interrupt an ongoing input.

MENU/OK:

Press to confirm an entry or selection.

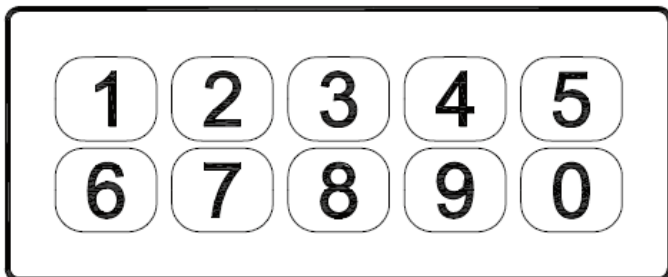
Arrow Up And Arrow Down:

Press any of the arrow buttons to move the cursor between menus or different options.



Number Buttons

Used in the menu structure to enter settings, for example, password and time.



Browse through the main menu and sub-menus with the arrow buttons. Enter values and the time with the numerical buttons and confirm each selection with the MENU/OK button. Press the cancel button to go one step back.

Function Buttons



Start mower. Please follow up the LCD display information to start the mower.



Via this button, you may set work mode of the mower. Press this key, LCD shows Home, Auto, Man. Select using arrow key and press yes to confirm.

Main Menu

The main menu consists of five options:

- Work Timer (1)
- Lawn Setup (2)
- Diagnostics (3)
- System Setting (4)
- Fault History (5)

The numbers in brackets refer to the menu rows on the mower display. Each option has a number of submenus used to access all functions to establish mower settings.

Work Timer

Work Timer

You can set the work day and work time for the lawn mower to operate. You can set two schedules in one day.

Work Timer > Work Timer A or Work Timer B

Select "work timer", press OK to set the schedule time, enter a start time and an end time in 24-hour format. Also, enter a start time and end time in 24-hour format for timer 2 if necessary.

NOTE -

1. The start time should be earlier than the end time.
2. Set time between 0 and 24.
3. In order to implement the reservation function, you must set the start and end time of the work, as well as the day's work. If you want to use the startpoint function, you must also select which startpoint be active on the reservation day and set the relevant parameters of the startpoint.

Work Timer > Work Day

Use the arrow key to select which day the lawn mower should work.
Use the arrow key to select s* and press yes to set the startpoint.

NOTE -

1. The startpoint no. is from 1 to 3.
2. "0" means startpoint N/A.

Start point NO 3 Please input 0 to 3, "0" means start point NA.	Work Day Mon <input checked="" type="checkbox"/> S1 Fri <input type="checkbox"/> S1 Tue <input checked="" type="checkbox"/> S2 Sat <input checked="" type="checkbox"/> S2 Wed <input checked="" type="checkbox"/> S3 Sun <input type="checkbox"/> S3 Thu <input type="checkbox"/> S1 AllDay <input type="checkbox"/>
--	---

Work Timer > Mower Startpoints > Set Startpoint

Press yes to enter into this interface, then enter the startpoint length and angle. Use the arrow key to select startpoint 1/2/3, press "OK" button to set the startpoint length and angle. Input the value, then press "OK" to confirm your setting.

NOTE -

1. The range of angle is 0° - 180°.
2. The range of length is 0m - 999m.
3. The scheduling must be activated when the lawn mower is charging at the dock station.

Set Startpoint <table><thead><tr><th></th><th>Angle</th><th>Length</th></tr></thead><tbody><tr><td>Startpoint 1</td><td>090'</td><td>120m</td></tr><tr><td>Startpoint 2</td><td>150'</td><td>080m</td></tr><tr><td>Startpoint 3</td><td>120'</td><td>150m</td></tr></tbody></table>		Angle	Length	Startpoint 1	090'	120m	Startpoint 2	150'	080m	Startpoint 3	120'	150m	startpoint 1 <table><thead><tr><th>Angle</th><th>Length</th></tr></thead><tbody><tr><td>090'</td><td>120m</td></tr></tbody></table>	Angle	Length	090'	120m
	Angle	Length															
Startpoint 1	090'	120m															
Startpoint 2	150'	080m															
Startpoint 3	120'	150m															
Angle	Length																
090'	120m																

Lawn Setup

Set Mowing Pattern

Home Screen > Lawn Setup > Auto Mode Setting > Mowing Pattern > Random, Zig-Zag, Mixed

Random: Used for mowing narrow areas, normal operation.

Zig-Zag: Used for mowing large open areas.

Mixed: With this setting, the lawn mower alternates between the random mowing pattern and the zig-zag mowing pattern at regular intervals. You can adjust how the lawn mower moves while mowing. The mixed setting is also available.

STEP 1

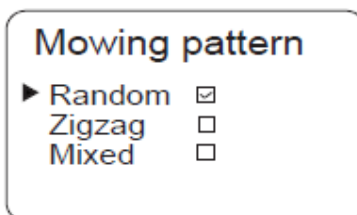
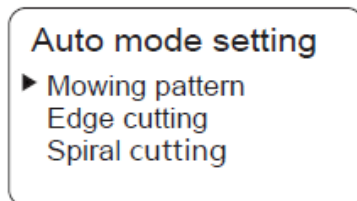
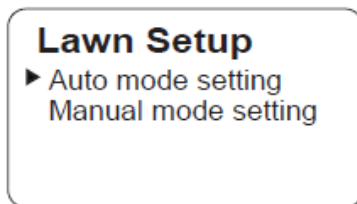
Select Random, Zig-Zag or Mixed pattern.

STEP 2

Press OK button. A tick means it is selected.

STEP 3

Press the  button to return to the last screen.



Set Edge Cutting

Home Screen > Lawn Setup > Auto Mode Setting > Edge Cutting

With this function, the mower will mow along the boundary wire from Monday to Sunday.

If the edge cutting setting is enabled, the lawn mower goes around your lawn along the boundary wire to mow the edge before starting the usual mowing.

STEP 1

Select the "Edge Cutting", press OK to set it.


STEP 2

Select YES, then press OK button (a tick means it is selected).

STEP 3

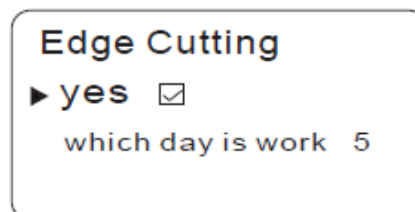
Select "Work Day" and set the number 0-7. This sets day for edge cutting. (1 means Monday, 2 means Tuesday, etc).

STEP 4

Press the  button to return to the previous screen.

NOTE -

You can select Yes (a tick shows), press "OK" button (the tick disappears) to cancel edge cutting set.



Lawn Setup

Set Spiral Cutting

Home Screen > Lawn Setup > Auto Mode Setting > Spiral Cutting

After setting this function, the lawn mower could focus on mowing the area where the lawn is not completely mown or where the grass is too thick.

Manual Mode Setting

Please refer to the auto mode setting and repeat the steps as above. In manual mode, you can manually move your mower to other zones which has buried boundary wire for mowing. In this mode, you need to manually move the mower for cutting and recharging.

Operating In Auto Mode

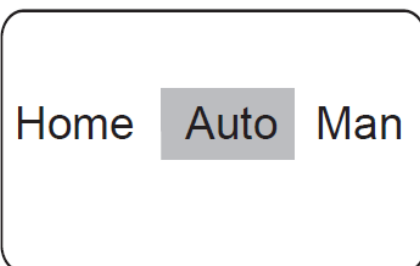
When turning the lawn mower, you must enter the PIN.

STEP 1

Enter the PIN using the number buttons.

STEP 2

Press the OK button. The home screen is displayed AUTO.



AUTO Mode Operation

These instructions can be used to operate the lawn mower at the time scheduled and startpoint settled for the auto mode settings. Make sure to press the STOP button before performing the following procedure:

STEP 1

Press the OK button.

STEP 2

If the (Auto) is displayed on the home screen, go to step 3.

If the (Man) is displayed on the home screen, press the HOME button and select (Auto) by arrow button, then press OK button.

STEP 3

Press start button, then press OK button, finally close the control panel cover to start mowing.

STEP 4

Setup completed. If the lawn mower is on the charging station when you complete the above setting, the lawn mower will start mowing at the time scheduled and startpoint for AUTO mode. If the lawn mower inside the signal area, the robot will start to work automatically.

Operating In Manual Mode

When turning the lawn mower, you must enter the PIN.

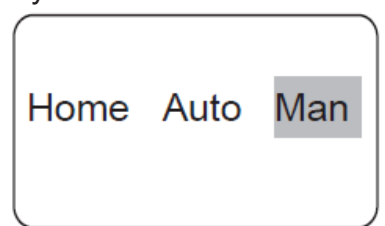
STEP 1

Enter the PIN using the number buttons.

STEP 2

Press the OK button.

The home screen is displayed Man.



Lawn Setup

Manual Mode Operation

STEP 1

Press the OK button.

STEP 2

If the (Man) is displayed on the home screen, go to step 3.

If the auto is displayed on the home screen, press the HOME button and select (Man) by arrow button, then press OK.

STEP 3

Press start button, then press OK button, finally close the control panel cover to start mowing.

Setting completed. The lawn mower starts mowing at the manual mode.

NOTE -

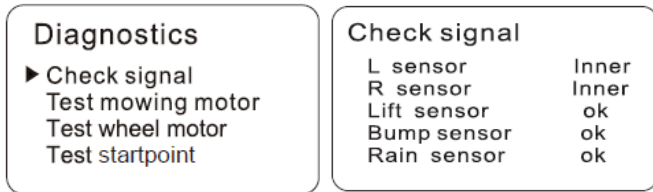
If you forget the password of the lawnmower, please contact after sales for help.

Diagnostics

Check Signal

Home Screen > Diagnostics > Check Signal

You can check the boundary signal status.



Signals include:

1. L sensor (to check if mower inside the boundary wire area or outer).
2. R sensor (shows if mower inside the boundary wire area or outer).
3. Lift sensor (to check if the lift sensor is ok).
4. Bump sensor (to check if the bumper sensor is ok).
5. Rain sensor (to check if the rain sensor is ok).

NOTE -

For signals 1-2, the words 'None' or 'Inner' or 'Outer' will appear on the screen.

None - Means the signal sensor is broken.

Inner - Means the signal sensor is ok.

Outer - Means no signal.

For signals 3-5, the words 'OK' or 'NG' will show on the screen.

OK - Means sensor is normal.

NG - Means sensor is not good.

Mowing Motor Test

Home Screen > Diagnostics > Test Start Mowing Motor

ATTENTION - Before you test the mowing motor, we must make sure there is no obstacle at the bottom of the machine. Press the 'OK' button, then the screen shows 'Please input 7 to test', and follow the instruction press '7' button, the mowing motor will work and check if it is normal or not.

Test Wheel Motor

This is to check whether the wheel is working normal.

ATTENTION - Before you test the wheel motor, you must make sure to put the machine in an open area, in order to prevent the machine from running around, causing losses. Press 'OK' button, then the screen shows 'Please input 7 to test', and follow the instruction press '7' button, the wheel motor will work and check if it is normal or not.

Test Startpoint

You can check whether the lawn mower can reach each start points according to settings.

Home Screen > Diagnostics > Test Startpoints > Point 1 to > Point 3

You can test if the lawn mower will correctly go to the specific startpoint.

NOTE -

Perform this test when the lawn mower is connected to the docking station.

System Setting

STEP 1

Select a point from 1 to 3 which you want to test and press the 'OK' button.

STEP 2

Select 'Yes' and press the 'OK' button. Close the control panel cover.

The lawn mower will start test the selected startpoint. When the test completed, the mower will stop and you can check whether the value you set is ok.

Date And Time

Home Screen > System Setting > Day and Time

STEP 1

Enter the date with the format (Year) / (Month) / (Day). The time in 24-hour format using the number buttons.

STEP 2

Press OK button.

STEP 3

Press the return button to return to the previous screen.

The lawn mower work time is based on this day and time setting.

Password Setting

Password setting is used to prevent the lawn mower being operated by others.

Home Screen > System Setting > Password Setting

How To Change Password:

STEP 1

Press OK to enter password setting menu.

STEP 2

Enter old password, press OK button.

STEP 3

Enter new password, input new password again, press OK button. It will show the setting is ok.

Sensitivity Setting

Home Screen > System Setting > Sensitivity Setting

ATTENTION - You can choose to open the rain sensor. You can turn the rain sensor on or off via this menu.

Factory Reset

Home Screen > System Setting > Factory Reset

STEP 1

Press OK button, enter into the interface as below.

STEP 2

Input password and tick 'Yes'.

STEP 3

The machine will start rebooting, then the machine will return to the factory setting.

Language Setting

Home Screen > System Setting > Language Setting

STEP 1

Choose language setting and press MENU/OK button.

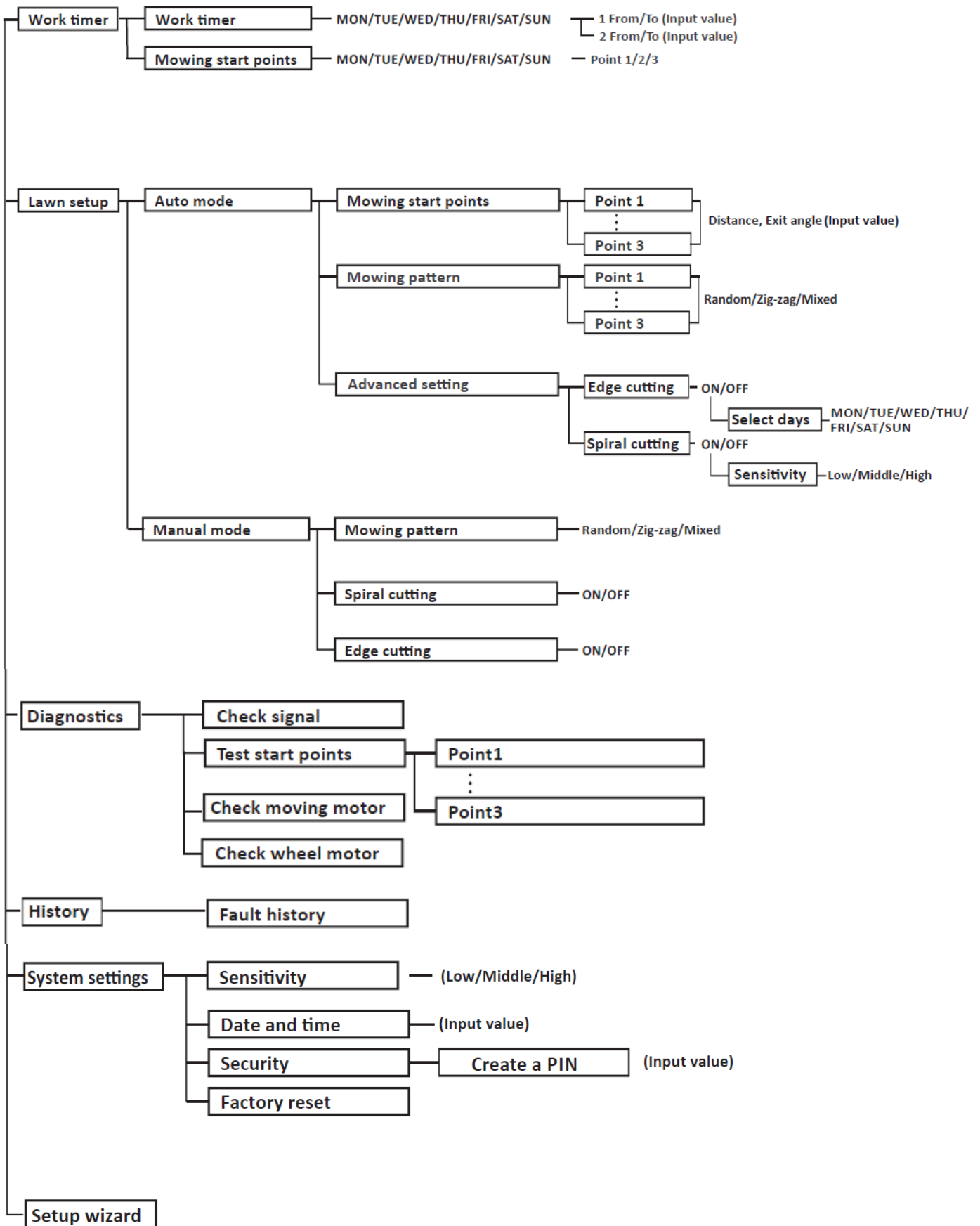
STEP 2

Enter language setting page, use arrow button to select the language.

STEP 3

Press MENU/OK button to choose the language you select.

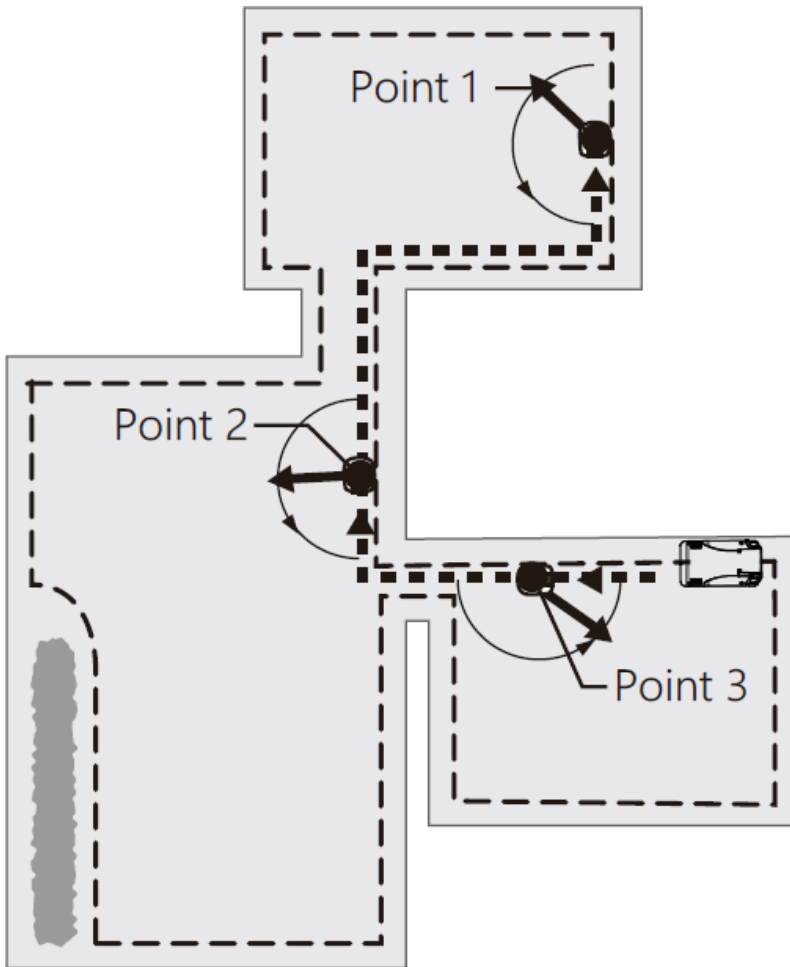
Full Menu Diagram



Mowing Startpoints

You can set the mowing startpoints for each day of week.

For example, if you set the following 3 startpoints on your lawn, the lawn mower can reach other areas through narrow passages and mow your lawn effectively.



Set Startpoint		
	Angle	Length
Startpoint 1	045'	150m
Startpoint 2	090'	100m
Startpoint 3	135'	050m

By setting the startpoints for each day of the week, you can mow your lawn effectively.

Set Startpoint:

STEP 1

Length of startpoint: The length is counted by the boundary wire length from charging station.

STEP 2

Angle of startpoint: The angle is counted by counter-clockwise rotation based on forward direction.

Work Day

Mon	<input checked="" type="checkbox"/>	S1	Fri	<input type="checkbox"/>	S1
Tue	<input checked="" type="checkbox"/>	S2	Sat	<input checked="" type="checkbox"/>	S2
Wed	<input checked="" type="checkbox"/>	S3	Sun	<input type="checkbox"/>	S3
Thu	<input type="checkbox"/>	S1	AllDay	<input type="checkbox"/>	

From Monday to Wednesday:

The lawnmower starts from point 1, point 2 or point 3.

The display show:

Monday start point 1.

Tuesday start point 2.

Wednesday start point 3.

Saturday start point 2.

Contact Us



www.hyundaipowerproducts.co.uk



01646 687 880



aftersales@hyundaipowerproducts.co.uk

Maintenance & Care

⚠ CAUTION - The lawnmower will remain hot for a while after use. Ensure the machine has cooled before carrying out any maintenance or storage.

⚠ WARNING - Whilst cleaning or doing maintenance work, you need to wear proper clothing and protective gloves whenever your hands are at risk.

⚠ WARNING - If there are worn or damaged parts, never use the machine. Faulty or worn-out parts must be replaced and not repaired. You must only use original spare parts. The use of non-original and/or incorrectly fitted parts will jeopardize the safety of the machine. This may also cause accidents or personal injuries for which the manufacturer is under no circumstance liable or responsible.

⚠ WARNING - Any maintenance operations or adjustments not explained in this manual must be carried out by your Dealer or a specialised Service Centre with the necessary knowledge and equipment to ensure that the work is done correctly maintaining the machine's original safety level. Any operations performed in unauthorised centres or by unqualified persons will invalidate the Warranty and all obligations and responsibilities of the Manufacturer.

⚠ WARNING- Be very careful during adjustment of the machine to prevent entrapment of the fingers between moving parts and fixed parts of the machine.

Daily Maintenance

⚠ IMPORTANT - Routine and accurate maintenance is essential for maintaining original machine safety and performance levels.

1. Check and clean mower regularly once a week.
2. When you first start using the mower, the blade plate, protection plate and blades should be checked once a month.
3. It is important that the blade rotates easily. Additionally, if the blades are fixed, the blade plate must rotate easily.
4. Blade edges should not be damaged. Blade life depends on the type of grass, soil, lawn, etc.
5. Working will dull blades gives a poor mowing results, which needs more power to mow, therefore the mower can only cover smaller area.
6. Charge the battery fully at the end of the season before winter storage. If storage time is longer than one year, please recharge the mower again.
7. On a regular basis, check that the screws are properly tightened.
8. To be sure the machine is in safe working condition, keep all nuts, screws and bolts tight. Routine maintenance is essential for safety and for maintaining a high performance level.
9. Check for damage after each use.
10. If any warning message stickers or instruction is damaged, replace them.

Maintenance & Care

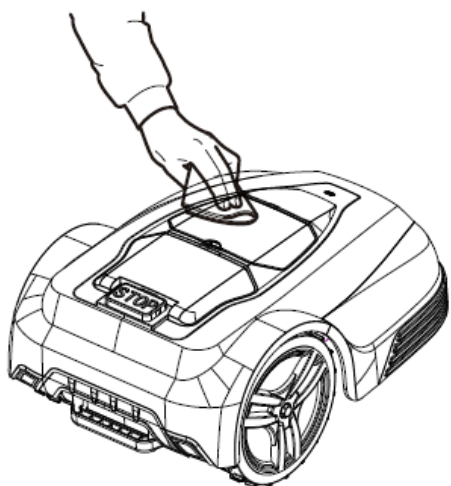
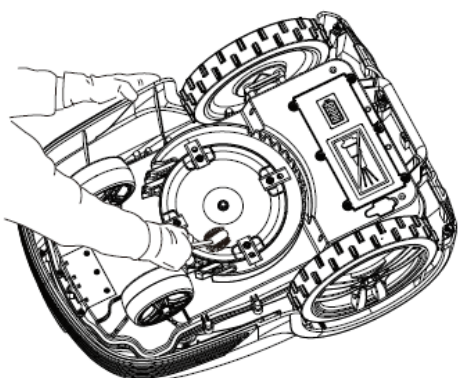
Cleaning

⚠ CAUTION - DO NOT use a hose pipe or pressure washer to clean the machine. Water can cause damage.

⚠ Do not use strong detergents or petroleum based cleaners when cleaning plastic parts. Chemicals can damage plastics.

1. It is important to keep the mower clean. Mowing with a large amount of clippings and high slopes, mower needs more power to drive the blade plate.

2. We recommend using a brush and a soft, damp sponge or cloth to clean the top body and outer case.



Blade Replacement

STEP 1

Power off the mower and make sure you are wearing protective gloves.

STEP 2

Turn mower upside down. Rotate the skid plate so that its hole aligns with the blade screw.

STEP 3

Unscrew the blade. Use a flat head or head screwdriver.

STEP 4

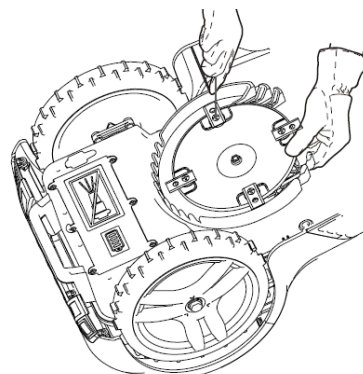
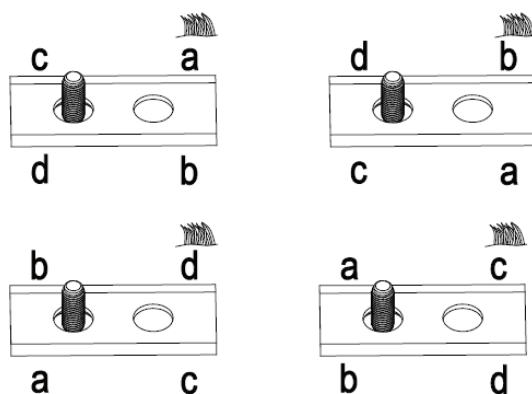
Pry the protection plate and blade plate a little apart and remove the blade and screw.

STEP 5

Tightly screw on new blade.

STEP 6

Change the blade to another side if current side is broken, worn, damaged, or dulled.



Maintenance & Care

Winter Storage

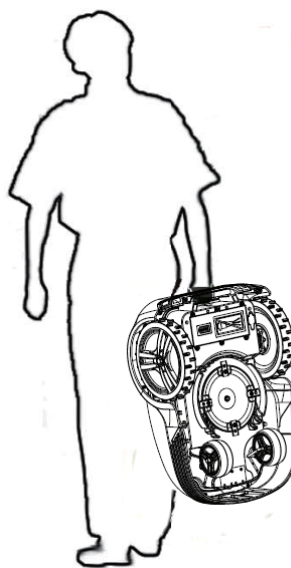
1. Mower must be carefully cleaned before winter storage. Charge the battery fully before winter storage.
2. Store the mower in the station and place in dry area to protect from frost, preferably stored in the original packaging.
3. Boundary wire can be left in the ground. As the charging station is removed, you should protect boundary wire from moisture with electrical tape.
4. Store the machine in a safe place, out of the reach of children.
5. Machine must be cooled down before storing.

After Storage

1. Check whether the mower, boundary wire and charging electrode need to be cleaned before use. If the charging or contact strips appear to be rusty, clean them by using an emery cloth. Check whether the mower's time and date are correct.
2. Check whether the blades need to be changed.
3. Check whether the blades and blades plate turn easily. If not, please contact the service centre for help.
4. Store the machine in a safe place, out of the reach of children.
5. Machine must be cooled down before storing.

Transportation

1. Power off the mower if you intend to carry it.
2. Carry by the handle at the rear under the mower. Carry it with the blade plate away from the body.
3. Do not lift up the mower by the outer case.



Spare Parts

Only use original spare parts: The use of non-original and/or incorrectly fitted parts will jeopardize the safety of the machine, may cause accidents or personal injuries for which the Manufacturer is under no circumstance liable or responsible.

Part	Part Number
Blade	HYRM1000BLADE
Mains Charger	HYRM1000CHARGER
Front Wheel L/H	HYRM1000WHEELL
Front Wheel R/H	HYRM1000WHEELR
Boundary Cable	HYRM1000CABLE

Specifications

Model	HYRM1000
Battery	Li-ion battery 22.2V / 2500mAh 55.5Wh
Adapter	29.4V / 2.0A @ 100~240V
Boundary Wire Length	100m
Blade Motor	Brushless DC Motor
Blade Motor Speed	3200~3500rpm
Wheel Motor	Brushless DC Motor
Bump Sensor	Yes
Rain Sensor	Yes
Lift Sensor	Yes
Emergency Switch	Yes
Measured Noise Level	65dB(A)
Guaranteed Noise Level	65dB(A)
Mowing System	Four pivoted blades
Cutting Height	2.5-5.5cm
Cutting Width	18cm / 180mm
Working Capacity	(500m ²) +/- 20%
Dimensions	50cm x 35.5cm x 24cm
Weight	Lawnmower - 7.5kg Docking Station - 1.5kg



Recycling & Disposal

Recycling And Disposal



We do not offer a takeback scheme for the recovery of Waste Electrical Electronic Equipment (WEEE) & Batteries. Instead the responsibility to dispose of WEEE and or Batteries is passed onto you by us.

So when it becomes necessary to dispose of your machine you must take it to your local Civic Amenity Site. For further information please contact your local Authority for disposal advice.

You **MUST** make sure that all unused oil and fuel is disposed of correctly either beforehand or at your local Civic Amenity Site.

Under NO circumstances must any fuel or oil be put down any drains.

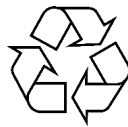
Certain products contain WEEE waste which should not be disposed of in your domestic waste.

You **MUST** recycle WEEE in accordance with your local authority or recycling centre.

Certain products contain batteries which should not be disposed of in your domestic waste.

You **MUST** recycle batteries in accordance with your local authority or recycling centre.

Unwanted packaging and materials should be stored and taken to a recycling centre so it can be disposed of in a manner which is compatible with the environment.



This symbol means you should 'Reduce - Reuse - Recycle'

We are a Member of the VALPAK National Compliance Scheme and our registration number is **RM08660**

For further information about disposal please contact your Local Authority.

You can also get more advice and guidance about recycling at the following website <http://www.recycle-more.co.uk>

Should you pass this product on to another user either sold or loaned, you **MUST** pass on this user manual. This will make sure that all other users can use and maintain this machine safely.

Environmental Protection

1. Environmental protection should be a priority of considerable importance when using the machine, for the benefit of both social coexistence and the environment in which we live. Try not to cause any disturbance to the surrounding area.
2. You must comply with local regulations and provisions for the disposal of packaging, oils, petrol, filters, damaged parts or any elements which have a strong impact on the environment. This waste must not be disposed of as normal waste. It needs to be separated and taken to specified waste disposal centres where the material will be recycled.
3. You must comply with local regulations for the disposal of waste materials after mowing.
4. When disposing, do not pollute the environment with the machine, but hand it over to a disposal centre, in accordance with the local laws in force.

Our Product Range

Generators

Leisure Inverter, Petrol, Diesel And Built-In Motorhome Generators

Pressure Washers

Petrol, Diesel And Electric Pressure Washers

Water Pumps

Submersible, Clean And Dirty Water And Professional Chemical Water Pumps

Lawnmowers

Petrol, Cordless, Electric, Roller, Self Propelled, Robotic And Electric Start Lawnmowers

Grass Trimmers And Brush Cutters

Petrol, Cordless And Wheeled Grass Trimmers And Brush Cutters

Chainsaws

Petrol, Cordless And Electric Chainsaws

Hedge Trimmers

Petrol And Cordless Hedge Trimmers

Leaf Blowers

Petrol, Electric, Cordless, Backpack And 3 -in-1 Leaf Blowers

Log Splitters

Horizontal, Vertical, Petrol And Electric Log Splitters

Wood Chippers

Petrol And Electric Start Wood Chippers

Tillers

Petrol Garden Tiller And Cultivator

Earth Augers And Trenchers

Petrol Earth Augers And Heavy Duty Trenchers

Compactor Plates

Petrol Compactor Plates

Cement Mixers

Portable Electric Cement Mixers

Mini Dumpers

4-Wheel Drive Mini Dumper / Power Barrow

Yard Sweeper

Self Propelled Yard Sweeper Power Brush

Scarifiers

Petrol Lawn Scarifier And Aerator

Stump Grinders

Petrol 4-Stroke Stump Grinders

Welders And Plasma Cutters

MIG, TIG, MMA, ARC Welders And Plasma Cutters

Power Tools And Tool Chests

Electric And Cordless Power Tools And Caster Mounted Tool Chests

Vacuum Cleaners

Wet And Dry Vacuum Cleaners

Engines

Petrol And Electric Start Engines

Battery Chargers / Starters

6V, 12V, 24V Battery Chargers, Jump Starters And Hydraulic Floor Jack

Air Compressors

Home, Domestic, DIY And Professional Use Air Compressors

Lighting Towers

Mobile Lighting Towers With Diesel Generators

And More

We Are Constantly Expanding Our Range With New Products

If you would like more information on any of these products, please contact our sales team on 01646 687880 or visit our website www.hyundaipowerproducts.co.uk

Contact Us



www.hyundaipowerproducts.co.uk



01646 687 880



aftersales@hyundaipowerproducts.co.uk

Useful Information

Check Out Our YouTube Channel

Our videos on YouTube include:

- Unboxing
- Assembly of your machine
- How to service your machine
- Products in use
- 'How To' videos
- Product features

Go to www.hyundaisupport.co.uk or search 'Hyundai Power Products' in YouTube.

Warranty

Register your warranty within 30 days of purchase at:
www.hyundaipowerproducts.co.uk/warranty

Full warranty terms and conditions can be found on the HYUNDAI POWER PRODUCTS website:
www.hyundaipowerproducts.co.uk

Manual Updates

Our manuals are constantly being reviewed and updated. Should you find an error, omission or something unclear, please contact us for assistance.

We reserve the right to make any modifications without prior notice whenever necessary.

Our latest manuals are also placed online. All our manuals can be downloaded at:
www.hyundaipowerproducts.co.uk

Returning Your Product

If you are returning your product, please contact the dealer for their returns policy.

Leaving A Review

We work very hard to give all of our customers the best possible service.

If you have any problems, before leaving negative feedback, please contact us to give us a chance to resolve the issue.

We would be delighted if you left us positive feedback!

To leave a review, please go to:
uk.trustpilot.com/review/hyundaipowerequipment.co.uk

Ordering Spare Parts

Only use original spare parts: The use of non-original and/or incorrectly fitted parts will jeopardize the safety of the machine, may cause accidents or personal injuries for which the Manufacturer is under no circumstance liable or responsible.

Go to page 40 for part numbers.

Need Help? Talk To Our Experts

Contact Us

Our friendly aftersales team will be more than happy to help you.

Phone

Call our team on 01646 687880, open Monday-Friday 8.30am-5pm.

Email

aftersales@hyundaipowerproducts.co.uk

Online Live Chat

Go to www.hyundaipowerproducts.co.uk

Live chat is open Monday-Friday from 8.30am-5pm.

Post

Genpower Limited, Isaac Way, Pembroke Dock, Pembrokeshire, SA72 4RW, UK.

Declaration Of Conformity

EC Declaration of Conformity

We hereby declare that the machine detailed in this declaration complies to all the relevant provisions of the following EC directives.

- 2006/42/EC The Machinery Directive
- 2014/30/EU Annex II Electromagnetic Compatibility Directive
- 2015/863/EC RoHS

And is in conformity with the applicable requirements of the following documents:

- EN50636-2-107::2015+A1:2018
- EN 60335-2-107B
- EN 62233:2008
- EN 55014-1:2017, EN55014-2:2015, EN61000-3-2:2014, EB61000-3-3:2013

Product Details

Brand: Hyundai

Model: HYRM1000

Description: Robotic Lawn Mower

Name and address of technical documentation holder and EU distributor:

Genpower Ltd, Isaac Way, Pembroke Dock, Pembrokeshire, SA72 4RW, UK.

Signed by:  Roland Llewellyn, Managing Director

Date: 25/02/2020



HYUNDAI

POWER PRODUCTS

Importer:
GENPOWER LTD
Isaac Way, London Road,
Pembroke Dock, UNITED KINGDOM, SA72 4RW
T: +44 (0) 1646 687 880 F: +44 (0) 1646 686 198
E: info@hyundaipowerproducts.co.uk
www.hyundaipowerproducts.co.uk

Imported/Distributed by Genpower Ltd for The United Kingdom & Ireland

Licensed by Hyundai Corporation, Korea