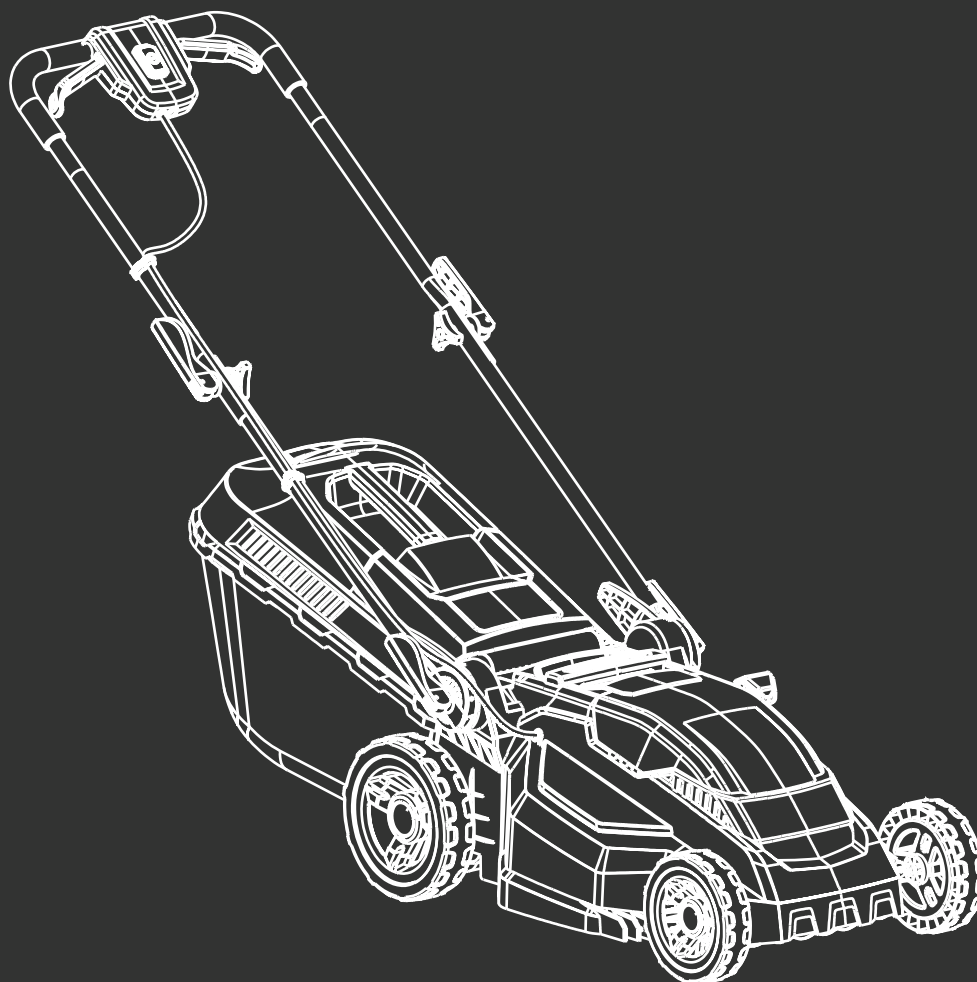


**HYUNDAI**  
POWER PRODUCTS



# 40V LAWNMOWER HYM40Li380P

Instruction Manual



# Introduction

## Thank You For Purchasing Your HYUNDAI Product

We work very hard to give all of our customers the best possible service. If you have any problems, before leaving negative feedback, please contact us to give us a chance to resolve the issue. We would be delighted if you left us positive feedback! Thank you for purchasing this product.

## Important!



**⚠WARNING : READ THE INSTRUCTION BOOKLET THOROUGHLY BEFORE USING THE MACHINE.** Keep for future reference and pass it on if the machine is loaned or sold to another user.

This manual has been produced by Hyundai Power Products and should be kept with the product. Please read and understand these instructions before you use your product. Failure to do this may result in personal injury or damage to the product.

The safety precautions and warnings are to ensure your safety and protect you from harm or damage to the product.

The information contained in this manual was accurate at the time of production, however HYUNDAI Power Products may make modifications to the product without notification.

# Contents

<b>Symbols On The Machine</b> .....	<b>4</b>	<b>Maintenance And Care</b> .....	<b>28-30</b>
<b>Safety Information</b> .....	<b>5-15</b>	Maintenance Safety.....	28
Understand Your Machine.....	5	Checking Your Machine.....	28
Personal Safety.....	5-6	Blade Maintenance.....	29
Inspect Your Machine.....	6-7	Cleaning.....	29
Work Area.....	7-8	Storage.....	30
During Use.....	8-9	Transportation And Handling.....	30
Noise.....	10	<b>Troubleshooting</b> .....	<b>31</b>
Power Tool Use And Care.....	10	<b>Spare Parts</b> .....	<b>32-39</b>
Battery Use And Care.....	11	<b>Disposal</b> .....	<b>40</b>
Battery Charger.....	11	<b>Our Product Range</b> .....	<b>41</b>
Vibrations.....	12	<b>Declaration Of Conformity</b> .....	<b>42</b>
Electrical Safety.....	13	<b>Notes</b> .....	<b>43-45</b>
Personal Protective Equipment.....	14	<b>Useful Information</b> .....	<b>46</b>
Getting To Know The Machine.....	15	Our YouTube Channel.....	46
<b>Features</b> .....	<b>16</b>	Warranty.....	46
<b>Unboxing</b> .....	<b>17</b>	Manual Updates.....	46
<b>Assembly</b> .....	<b>18-21</b>	Returning your Product.....	46
Assembly Safety.....	18	Ordering Spare Parts.....	46
Attach The Handle Bar.....	18-19	<b>Contact Us</b> .....	<b>47</b>
Attach The Grass Collector.....	19		
Insert The Mulching Plug.....	20		
Rear Discharge Function.....	20		
Adjusting The Cutting Height.....	21		
Inserting / Replacing The Battery.....	21		
<b>Safety Key</b> .....	<b>22</b>		
<b>Starting / Stopping</b> .....	<b>23</b>		
<b>Battery</b> .....	<b>24</b>		
Checking Charge Status.....	24		
Charging The Battery.....	24		
<b>Emptying Grass Collector</b> .....	<b>25</b>		
<b>Lawn Care</b> .....	<b>26</b>		
General Tips.....	26		
How Often Should I Mow.....	26		
How Does Mulching Work.....	26		
<b>Specifications</b> .....	<b>27</b>		

## Contact Us



[www.hyundaipowerproducts.co.uk](http://www.hyundaipowerproducts.co.uk)



01646 687 880



[aftersales@hyundaipowerproducts.co.uk](mailto:aftersales@hyundaipowerproducts.co.uk)

# Symbols On The Machine

We have provided safety messages in this manual and on the lawnmower. This information alerts you to potential hazards that could hurt you or others. Please read these messages carefully. However, we may not have listed all of the possible hazards, you must also use your own judgment.



## INSTRUCTION MANUAL

Read and understand operator's manual before using the machine. Failure to follow instructions could result in death or serious injury.



## GENERAL SAFETY WARNING

Indicates danger, warning or caution.



## DANGER AREA

Keep away from the danger area.



## DANGER OF THROWN OBJECTS

Keep all bystanders and animals at least 15 metres away from the machine during operation. If approached, stop the machine immediately.



## PROTECT FROM MOISTURE

Do not expose the product to rain or wet conditions.



## DANGER!

Keep hands and feet away from cutting parts.



## SAFETY KEY

Remove the safety key before carrying out any work on the unit and before leaving the unit.



## WEEE SYMBOL

Waste electrical products should not be disposed of with household waste. Please recycle where facilities exist. Check with your local authority or local store for recycling advice.



## CE SYMBOL

This product complies with the applicable European directives and an evaluation method of conformity for these directives was done.

# General Safety



**⚠ WARNING : READ THE INSTRUCTION BOOKLET THOROUGHLY BEFORE USING THE MACHINE. Keep for future reference and pass it on if the machine is loaned or sold to another user.**

## ⚠ Understand Your Product

- **WARNING!** You must read these instructions carefully before operating the machine. Make sure that you are familiar with the controls and properly operate the machine. You must learn how to stop the machine quickly. If you do not follow the warnings and instructions, it may result in fire and/or serious injury. Make sure to save all warnings and instructions for future reference.
- Read this manual and labels affixed to the machine to understand its limitations and potential hazards.
- Be thoroughly familiar with the controls and their proper operation. Know how to stop the machine and disengage the controls quickly.
- If the unit is to be used by someone other than original purchaser, or is to be loaned, rented, or sold, always provide this manual and any needed safety training before operation. The user can prevent and is responsible for accidents or injuries that may occur to themselves, to other people, or to property.
- Do not force the machine beyond its limits. Use the correct machine for your application.
- Know how to stop the machine quickly in case of emergency. Understand the use of all controls.
- ALL MAINTENANCE other than that listed in this manual, should be carried out by professionally trained and certified personnel.

## ⚠ Personal Safety

- **WARNING!** Never allow children or people unfamiliar with these instructions to use the product. Local regulations can restrict the minimum age of the operator.
- Keep children, pets, and other people not using the unit away from the work area. Be alert and shut off the unit if anyone enters work area. Keep children under the watchful care of a responsible adult.
- Stay alert, watch what you are doing and use common sense when operating the machine. Never operate the machine when unwell or tired, or if you have taken alcohol, medicine, drugs or any substances which may slow your reflexes and compromise judgment. A moment of inattention while operating the machine may result in serious personal injury.
- Appropriate Personal Protective Equipment (PPE), **MUST** be worn at all times when operating or repairing the machine. Always wear anti-slip and resistant work footwear and long trousers while using the machine. Do not use the machine when barefoot, wearing sandals or similar

## Contact Us



[www.hyundaipowerproducts.co.uk](http://www.hyundaipowerproducts.co.uk)



01646 687 880



[aftersales@hyundaipowerproducts.co.uk](mailto:aftersales@hyundaipowerproducts.co.uk)

# General Safety

lightweight footwear. Do not wear chains, bracelets or clothing that is loose fitting or hanging ties or cords. Tie long hair back. Always wear protective earplugs. Loose clothes, jewellery, or long hair can be caught in moving parts. Protect eyes, face, and head from objects that may be thrown from the unit. Always wear safety goggles or safety glasses with side shields when operating.

- Always keep hands and feet away from all moving parts during operation. Moving parts can cut or crush body parts.
- Always keep hands and feet away from all pinch points.
- Do not touch parts that might be hot from operation. Allow parts to cool before attempting to maintain, adjust, or service.
- Do not overreach. Keep proper footing and balance at all times. This enables better control of the machine in unexpected situations. Extending your body too far can result in a loss of balance and you may fall which will result in injury.
- Never place any part of your body where it would be in danger if movement should occur during assembly, installation, and operation, maintenance, repairing or moving.
- Start the machine carefully according to instructions and with feet away from the moving parts.
- Do not place your hands or feet near or under rotating parts. Keep away from any discharge openings.
- Keep in mind that the operator or user is responsible for accidents, hazards or unexpected events involving the machine that occur to other people or their property. It is the responsibility of the user to assess the potential risk of the area where work is being carried out. The operator or user must take all necessary precautions to ensure their own safety and that of others, especially on slopes or rough, slippery and unstable ground.
- Always keep a safe distance from the rotary blade, given by the length of the handle.

## Inspect Your Machine

- Check your machine before starting it. Keep guards in place and in working order. Make sure all nuts, bolts, etc., are securely tightened.
- You must check the general condition of the machine before use.
- Never operate the machine when it is in need of repair or is in poor mechanical condition. Replace damaged, missing, or failed parts before using it. Check for fuel leaks. Keep the machine in safe working condition.
- Do not use the machine if the machine's switch does not turn off when running.

# General Safety

- Regularly check to see that keys and adjusting wrenches are removed from the machine area before starting it. A wrench or a key that is left attached to a rotating part of the machine may result in personal injury.
- Avoid accidental starting. Be sure the switch is off before transporting the machine or performing any maintenance or service on the unit. Transporting or performing maintenance or service on a machine with its switch on invites accidents.
- If the machine should start to vibrate abnormally, stop the machine and check immediately for the cause. Vibration is generally a warning sign of trouble.
- Do not tamper with or disable safety systems.
- Only use manufacturer-recommended attachments.
- Before using, always visually inspect to see that the tools are not worn out or damaged. Replace worn out or damaged elements and bolts in set to preserve balance.
- Keep the machine in good operating condition. Operating a machine in poor or questionable condition could result in serious injury.
- Be sure all safety devices are in working order and warning labels are in place. These items are installed for your safety.
- Be sure the safety covers are in place.

## **⚠ Work Area**

- Make sure you thoroughly inspect the entire work area and remove all objects and anything that could be thrown by the machine or could damage the machine (branches, stones, wire, toys, etc). Attempting to clear the work area whilst using the machine will reduce your concentration and creates a trip hazard. Any liquid spilled on the floor may result in you slipping.
- You must only work in daylight or with good artificial light in good visibility conditions. Keep people, children and animals away from the working area. Distractions can cause you to lose control.
- Operate on flat, level ground.
- Use the unit in dry conditions only. Protect it from rain and moisture. If there has been heavy rain on the working site, wait until the ground has dried up.
- Never park the machine in a place with unstable ground which could give way.
- You must pay special attention when approaching obstacles that could compromise visibility.
- When mowing on slopes, you must mow across the slope and not up and down it. When changing direction, you need to be careful that the wheels do not hit any obstacles (such as

## Contact Us



[www.hyundaipowerproducts.co.uk](http://www.hyundaipowerproducts.co.uk)



01646 687 880



[aftersales@hyundaipowerproducts.co.uk](mailto:aftersales@hyundaipowerproducts.co.uk)

# General Safety

roots, branches, stones, etc) that can cause the lawnmower to slide sideways or make you lose control of it. Make sure on slopes you have a steady foothold.

- The lawnmower must never be used on slopes of over 20°, regardless of the mowing direction.
- You must be careful near ravines, ditches or embankments.
- Exercise extreme caution when operating on or crossing gravel drives, walks, or roads. Stay alert for hidden hazards or traffic.
- Find and locate all fixed objects in the ground, such as sprinkler systems, poles, water valves, bases for washing lines etc. Make sure that you check for hidden electrical cables or similar on the surface of the lawn. ALWAYS run the machine around these objects. NEVER intentionally run the machine over foreign objects.
- Pay the utmost attention when working on frozen ground as the machine may tend to skid.
- Do not work in the rain or when there is a thunderstorm or lightning risk. If there is bad weather conditions, do not use the machine.
- Never run over gravel while the motor is running. There is a risk of being hit by stones.
- Switch the lawnmower off before tilting or transporting it, e.g. from/to lawn or over paths.
- Do not operate power tools in explosive atmospheres, such as in the presence of flammable liquids, gases or dust. Power tools create sparks which may ignite the dust or fumes.

## **⚠ During Use**

- Always hold the unit with both hands when operating. Keep a firm grip on the handlebars. Be aware that the machine may unexpectedly bounce upward or jump forward if the machine should strike buried obstacles such as large rocks or roots. Maintain a safe distance as provided by the handle frame.
- Walk, never run with the machine.
- Use extreme caution when in reverse or pulling the machine towards you.
- Do not operate the machine in confined areas where there may be a risk of crushing the operator between the machine and another object.
- Be very careful when pulling the machine toward you. You must look behind you to make sure there are no obstacles before and during operations in reverse gear (if applicable).
- Do not allow the machine to pull you along, you must walk and never run.
- Before leaving the machine to clear blockages, check, clean, refuel or after striking foreign object, stop the machine and make sure that the blades have come to a complete stop.



# General Safety

- **WARNING!** If something breaks or an accident happens whilst working, you must turn off the machine immediately and move the machine away to prevent further damage. If an accident happens with injuries or third parties are injured, carry out the first aid measures most suitable for the situation immediately and contact the medical authorities for any necessary health care. Carefully remove any debris that might cause damage or harm persons or animals should it not be seen.
- Do not switch on the motor until your feet are at a safe distance from the blade. Be careful and do not reach into the rotating blade.
- Ensure that you have a firm footing and mow slowly. Be particularly careful when changing direction. There is a risk of tripping!
- The excessive speed of movement or the absence of maintenance have a significant influence on noise emissions and vibrations. It is necessary to take preventive steps to eliminate possible damage due to high levels of noise and stress from vibration. You must maintain the machine well, wear ear protection and take breaks from working.
- Never open the discharge flap while the motor is running.
- Do not tilt the lawnmower when switching on the motor. If the lawnmower is running, do not lift or transport.
- If the attachments/tools are not installed in their seats, do not use the machine.
- You must remove the safety key and the battery (making sure that all moving parts are stationary):
  - Whenever you remove or attach the grass collector.
  - Before adjusting the cutting height.
  - After striking a foreign object, you must inspect the machine for damage and make repairs before using it again.
  - Before checking or working on the machine.
  - Before clearing blockages or unclogging the discharge chute.
  - When lifting or transporting the machine.
  - Whenever you leave the machine unattended.
  - If the unit starts vibrating excessively.
- After emptying the grass catcher, carefully re-attach it and ensure that the grass catcher is attached securely to the lawnmower.
- Do not switch on the unit if there are persons (particularly children) or animals in the immediate vicinity. Ensure that children do not play with the unit. Stop working if you notice that persons (particularly children) or pets are nearby. When stopping work, never leave the unit unattended and keep it in a safe place.
- Prevent unintentional starting. Ensure the switch is in the off-position before connecting to power source and/or battery pack, picking up or carrying the tool. Carrying power tools with your finger on the switch invites accidents.

## Contact Us



[www.hyundaipowerproducts.co.uk](http://www.hyundaipowerproducts.co.uk)




01646 687 880



[aftersales@hyundaipowerproducts.co.uk](mailto:aftersales@hyundaipowerproducts.co.uk)

# General Safety

## ⚠ Noise (Where Applicable)

- The operating noise of the machine can damage your hearing. Wear hearing protection such as earplugs or ear defenders to protect your hearing. Long-term and regular users are advised to have hearing checked regularly. Be especially vigilant and cautious when wearing ear protection because your ability to hear alarm warnings will be reduced.
  - Noise emissions for this equipment is unavoidable. Carry out noisy work at approved times and for certain periods. Limit the working time to a minimum. For your personal protection and protection of people working nearby it is also advisable for them to wear hearing protection.
-  • See Certificate of Conformity section for Outdoor Noise declaration of conformity.

## ⚠ Power Tool Use And Care

- Do not force the power tool. Use the correct power tool for your application. The correct power tool will do the job better and safer at the rate for which it was designed.
- Do not use the power tool if the switch does not turn it on and off. Any power tool that cannot be controlled with the switch is dangerous and must be repaired.
- Disconnect the plug from the power source and/or the battery pack from the power tool before making any adjustments, changing accessories, or storing power tools. Such preventive safety measures reduce the risk of starting the power tool accidentally.
- Store idle power tools out of the reach of children and do not allow persons unfamiliar with the power tool or these instructions to operate the power tool. Power tools are dangerous in the hands of untrained users.
- Maintain power tools. Check for misalignment or binding of moving parts, breakage of parts and any other condition that may affect the power tool's operation. If damaged, have the power tool repaired before use. Many accidents are caused by poorly maintained power tools.
- Keep cutting tools sharp and clean. Properly maintained cutting tools with sharp cutting edges are less likely to bind and are easier to control.
- Use the power tool, accessories and tool bits etc. in accordance with these instructions, taking into account the working conditions and the work to be performed. Use of the power tool for operations different from those intended could result in a hazardous situation.

# General Safety

## ⚠ Battery Use And Care

- Recharge only with the charger specified by the manufacturer. A charger that is suitable for one type of battery pack may create a risk of fire when used with another battery pack.
- Use power tools only with specifically designated battery packs. Use of any other battery packs may create a risk of injury and fire.
- When battery pack is not in use, keep it away from other metal objects, like paper clips, coins, keys, nails, screws or other small metal objects, that can make a connection from one terminal to another. Shorting the battery terminals together may cause burns or a fire.
- Under abusive conditions, liquid may be ejected from the battery; avoid contact. If contact accidentally occurs, flush with water. If liquid contacts eyes, additionally seek medical help. Liquid ejected from the battery may cause irritation or burns.
- Liquid ejected from the battery may cause irritation or burns.
- Never attempt to open the battery pack for any reason. If the plastic housing of the battery pack breaks open or cracks, immediately discontinue its use and do not recharge it.
- Do not pierce the battery with nails, strike the battery with a hammer, step on the battery or otherwise subject it to strong impacts or shocks.
- Protect the battery pack against heat. Do not place the battery in direct sunlight or use or store the battery inside cars in hot weather. Doing so may cause the battery to generate heat, explode or ignite.
- Never try to charge a battery pack that is cracked or damaged in any other way. There is a danger of electric shock or electrocution.



- There is an explosion risk if the battery terminals are short circuited, when connecting/disconnecting ALWAYS exercise great care so that the terminals or battery leads are NOT allowed to touch and cause a spark. ALWAYS use suitable insulated tools.

## ⚠ Battery Charger

- Do not place any objects on the battery charger and do not place the battery charger on soft surfaces. There is a risk of explosion.
- If other batteries are used, e.g. imitations, reconditioned batteries or third-party products, there is a risk of injuries as well as damage caused by exploding batteries.
- A charger that is suitable for one type of battery pack may create a risk of fire when used with another battery pack. This may cause an internal short-circuit and the battery to burn, smoke, explode or overheat.



## **▲ Vibrations (Where Applicable)**

- Prolonged use of hand held (operated) machines will cause the user to feel the effects of/from vibrations. These vibrations can lead to white finger (Raynaud's phenomenon) or carpal tunnel syndrome. This condition reduces the ability of the hand to feel and regulate temperature, causing numbness and heat sensations and may cause nerve damage and circulatory tissue death.
- Not all factors that lead to white finger disease are known, but cold weather, smoking and other diseases that affect blood vessels and blood circulation as well as large and long-lasting impact of shocks are considered factors in the formation of white finger. Note the following to reduce the risk of white finger and carpal tunnel syndrome;
  - Wear gloves and keep your hands warm.
  - Take regular breaks.
  - All of the above precautions may help reduce the risk of white finger disease but not rule out the carpal tunnel syndrome. Long-term and regular users are therefore recommended to observe the condition of your hands and fingers. Seek medical attention immediately if any of the above symptoms should occur.

# General Safety

## ⚠ Electrical Safety (Where Applicable)



**DANGER!**

### **ELECTRICITY CAN KILL – NEVER WORK ON LIVE/ENERGISED EQUIPMENT.**

- Prior to carrying out any maintenance work you **MUST** identify electrical isolation methods and isolate all electrical supplies.
- Prior to use and with all electrical supplies isolated, you **MUST** check all electrical cables, plugs and connectors for the following;
  - Are intact and have no signs of damage, to include but not limited to bare wires, chaffing, cuts and loose wiring.
  - If there are any signs of damage, the damaged item **MUST** be taken out of service until the damage has been repaired by an electrically competent person.
- All trailing cables should be routed so as not to cause any kind of trip hazard.
- **NEVER** work on or near electricity with wet hands, wet clothing and wet gloves.
- Power tool plugs must match the outlet. Never modify the plug in any way. Do not use any adapter plugs with earthed (grounded) power tools. Unmodified plugs and matching outlets will reduce risk of electric shock.
- Avoid body contact with earthed or grounded surfaces, such as pipes, radiators, ranges and refrigerators. There is an increased risk of electric shock if your body is earthed or grounded.
- Do not expose power tools to rain or wet conditions. Water entering a power tool will increase the risk of electric shock.
- Do not abuse the cord. Never use the cord for carrying, pulling or unplugging the power tool. Keep cord away from heat, oil, sharp edges and moving parts. Damaged or entangled cords increase the risk of electric shock.
- When operating a power tool outdoors, use an extension cord suitable for outdoor use. Use of a cord suitable for outdoor use reduces the risk of electric shock.
- If operating a power tool in a damp location is unavoidable, use a residual current device (RCD) protected supply. Use of an RCD reduces the risk of electric shock.



# General Safety

## ⚠ Personal Protective Equipment

Appropriate Personal Protective Equipment (PPE), **MUST** be worn at all times when operating or repairing the machine. No protective equipment can ensure 100% protection.

When selecting PPE, make sure it's CE marked and it suits the user in terms of size, fit, etc. If more than one item of PPE is worn at the same time, make sure they can be used together, e.g. wearing safety glasses may disturb the seal of a respirator, causing air leaks.



### **HAND PROTECTION MUST BE WORN**

Protective electrically non-conductive gloves are highly recommended when working.



### **FOOT PROTECTION MUST BE WORN**

Non-skid heavy duty footwear are highly recommended when working.



### **HEARING PROTECTION MUST BE WORN**

Suitable safety hearing protection is recommended.



### **EYE PROTECTION MUST BE WORN**

Always wear safety glasses/goggles and/or face shields. Everyday eyeglasses have only impact resistant lenses; they are not safety glasses/goggles.



### **PROTECTIVE CLOTHING MUST BE WORN**

Do not wear loose clothing, gloves, scarfs, neckties or jewellery (rings, wrist watches), which can be caught in moving parts.



### **HEAD PROTECTION MUST BE WORN**

Wear a safety helmet with a safety visor.



### **FACE SHIELD MUST BE WORN**

Wear a face shield to protect your face.



### **RESPIRATOR MUST BE WORN**

Wear a respirator.

# General Safety

## Getting To Know The Machine

The HYM40Li380P is a battery powered lawnmower from HYUNDAI. The HYM40Li380P has a cutting width of 380mm and is powered by a 40V 2.5Ah Lithium-ion battery.

The lawnmower is a garden tool and precisely a pedestrian controlled lawnmower. The machine is essentially composed of a battery which drives a blade enclosed in a casing, equipped with wheels and a handle. The operator is able to operate the machine and use the main controls, always staying behind the handle at a safe distance from the rotating blade. If the operator leaves the machine, the battery and cutting means will stop within a few seconds.

The lawnmower is manufactured according to the latest safety requirements. These include a blade brake that stops the machine and blade when you let go of the OPC lever. Every precaution is only effective when it is followed exactly.

### Intended Use

This machine was designed and manufactured for cutting and collecting grass in gardens and grassy areas, in areas in proportion to its cutting capacity, controlled by a pedestrian operator. The presence of attachments or specific devices can prevent cut grass from being collected or produce a mulching effect, depositing cut grass on the ground.

### User Types

This machine is intended for use by consumers, i.e. non professional operators. The machine is intended for "DIY" and domestic use only.

This garden tool is not intended for use by persons (including children) with reduced physical, sensory or mental capabilities, or lack of experience and knowledge, unless they have been given supervision or instruction concerning use of the machine by a person responsible for their safety. Never allow children or people unfamiliar with these instructions to use the garden tool. Supervise children. This will ensure that children do not play with the unit.

Any other use is not as intended. Improper use is not covered by the warranty and the manufacturer will reject any liability. The user is liable for all injuries to third parties and damage to their property. Operate the unit only in the technical condition as stipulated and delivered by the manufacturer. Arbitrary changes to the unit will exclude the manufacturer from any liability for resulting injury and/or damage.

### Improper Use

Any other usage not in keeping with the above mentioned ones may be hazardous and harm persons and/or damage things. Examples of improper use may include, but are not limited to:

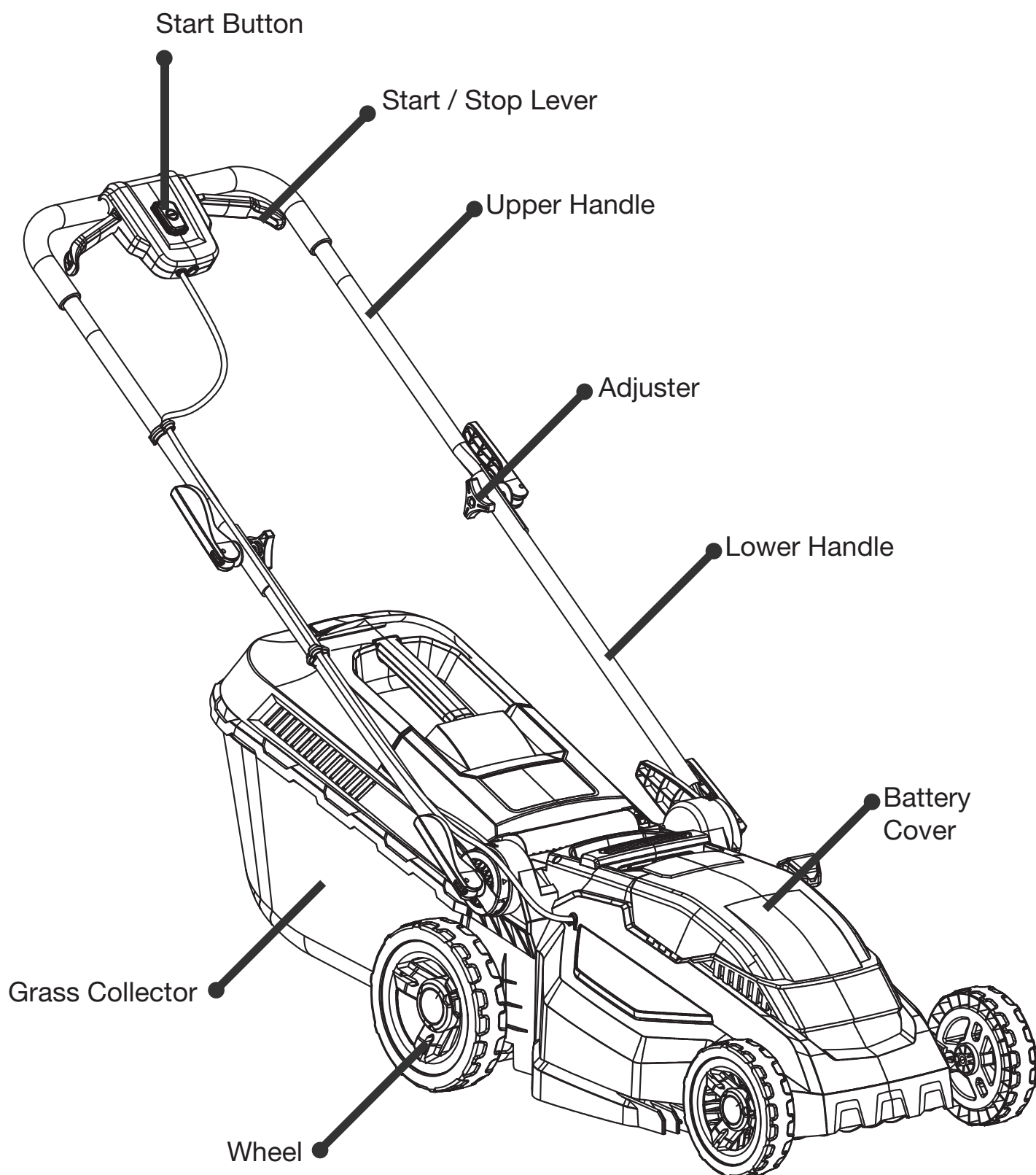
- transporting people, children or animals on the machine.
- letting yourself be transported by the machine.
- using the machine to tow or push loads.
- using the machine for leaf or debris collection.
- using the machine to trim hedges, or cutting anything other than grass.
- use of the machine by more than one person.
- using the blade on surfaces other than grass.

## Contact Us



# Features


## HYM40Li380P Features







# Unboxing

## ⚠ Unboxing Safety

 **WARNING!** Unboxing and assembling the machine should be done on a flat, stable surface with enough room. Disposal of the packaging should be done in accordance with the local regulations in force.

Carefully remove the product from the packaging and examine it for any sign of damage caused during shipping. Lay the contents out and check them. If any part is damaged or missing, you must not use the machine. Contact HYUNDAI Power Products immediately. You must keep the packaging material in case the machine needs to be returned or repaired.

 **WARNING!** Some of the packaging material may be harmful to children. Keep out of reach of children.

 **NOTE!** The batteries are not fully charged on delivery. Prior to initial operation, charge the batteries fully. See user manual of the battery charger.

## In The Box

- HYM40Li380P lawnmower
- Grass Collector
- Mulching Plug
- 40V Battery
- Charger
- User Manual

# Assembly

## ⚠ Assembly Safety

⚠ **CAUTION** - This guide is meant to serve as a quick reference for operating your HYUNDAI machine. We always advise reading the manual in full before operation.

⚠ **NOTE** - Images may vary depending on model.

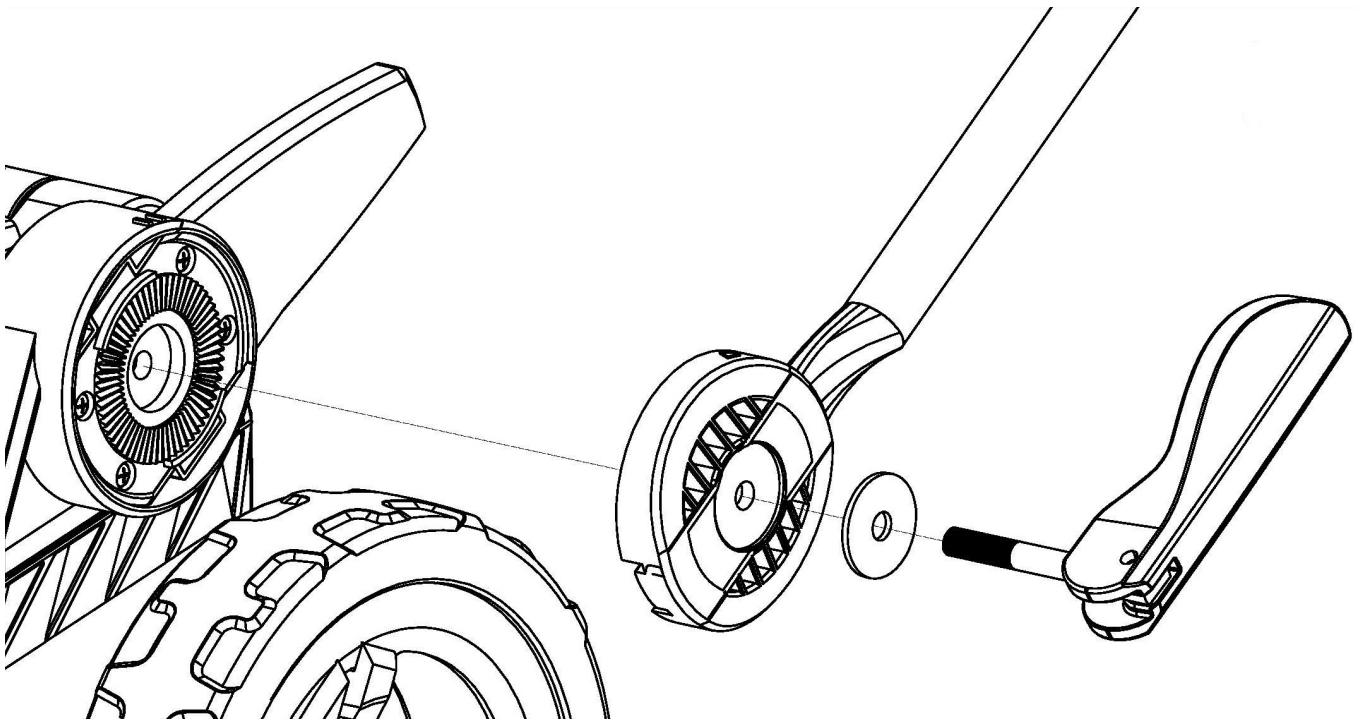
⚠ **NOTE** - The machine can be supplied with some parts already assembled. Prior to assembly, check all items have been received.

⚠ **WARNING** - Before performing any work on the garden tool, remove the safety key.

## Step 1 : Attach The Handle Bar

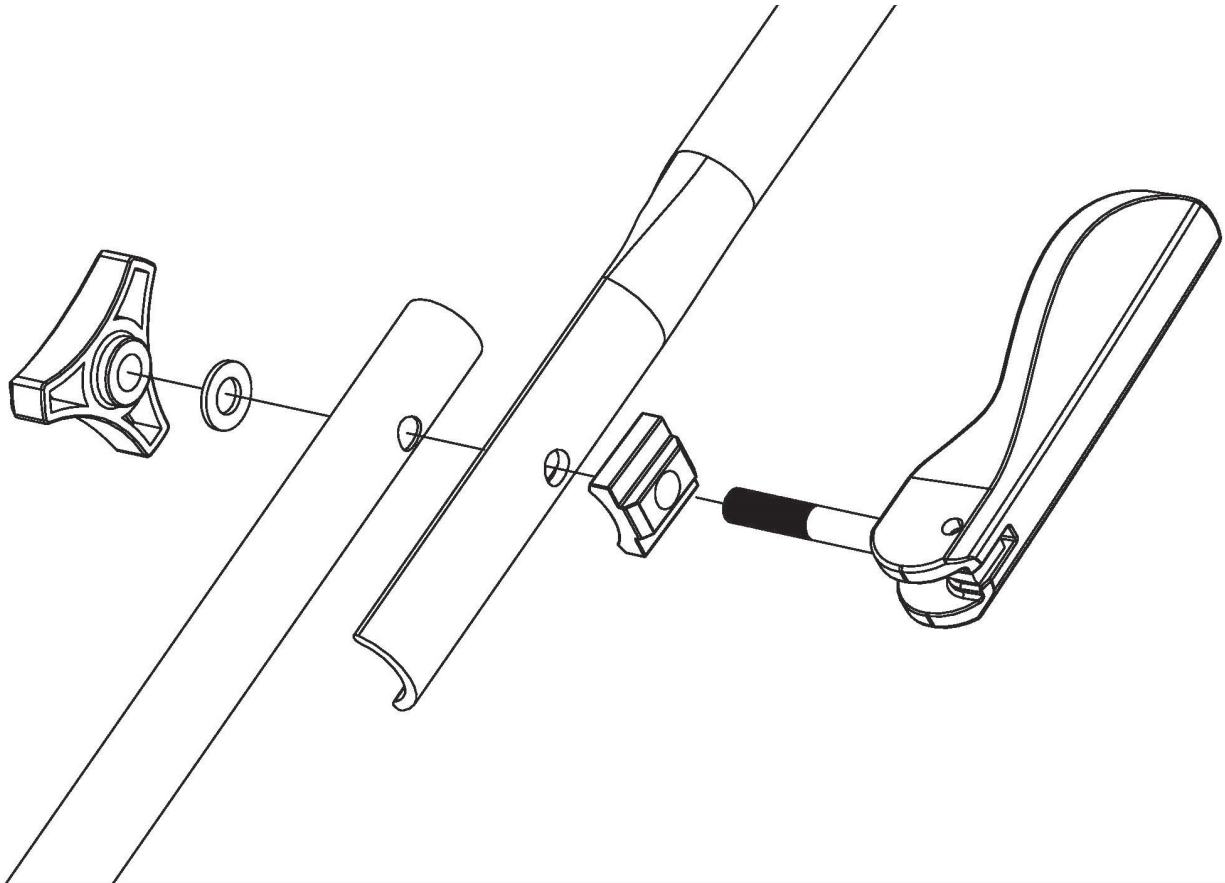
⚠ **NOTE** - Tools are not required to attach the handle bar.

1. Fold the lower handle upwards.
2. Insert the two bolts into the two holes each side and fasten the bar with the knobs.



# Assembly

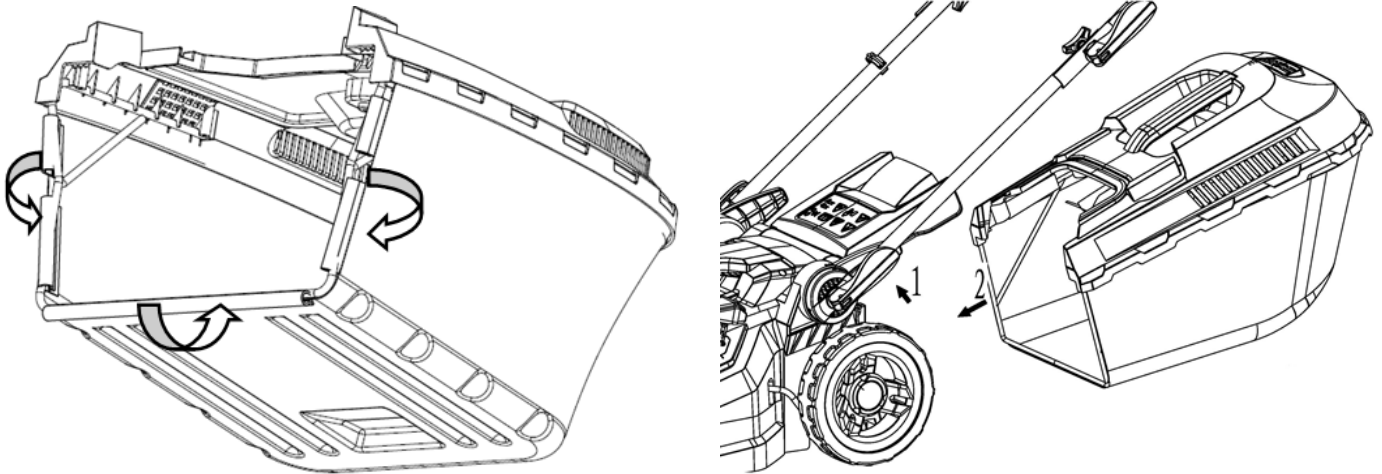
3. Place the upper handle on the lower handle.
4. Attach the upper handle.
5. Insert the threaded bolt through the holes in the upper handle and the lower handle.
6. Fasten the screw with the triangle knob.



# Assembly

## Step 2 : Attach The Grass Collector

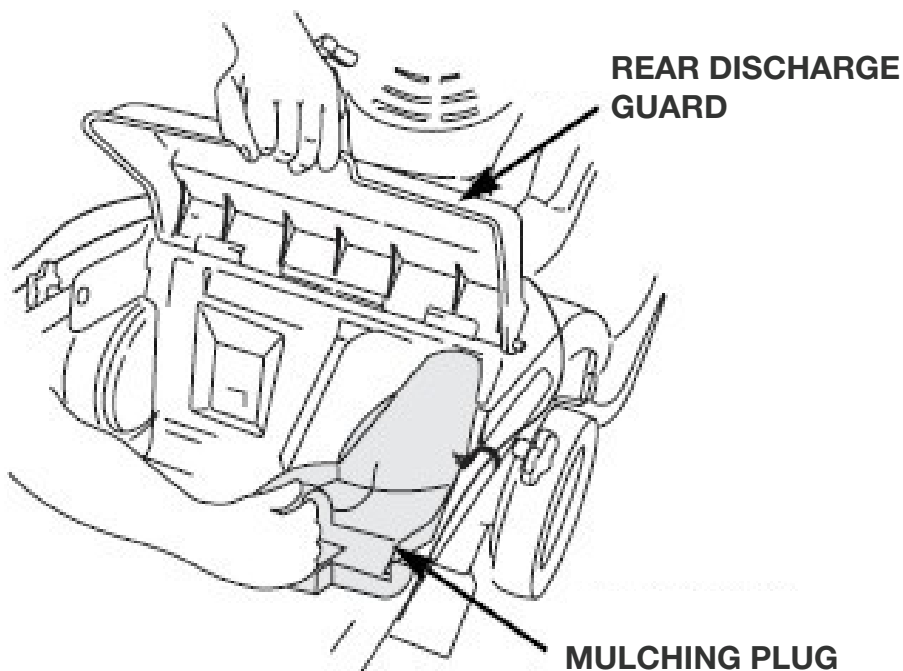
1. Lift the rear discharge guard up.
2. Hook the grass collector bar onto the rear of lawn mower.
3. Fold the rear discharge guard down and ensure it fits snugly onto the grass collector lid.



## Step 3 : Insert The Mulching Plug (For Mulching Function)

The mulching plug helps curve the inside of the mower deck for more efficient mulching.

1. Install and remove the mulching plug by raising the rear discharge guard as shown.
2. The mulching plug only fits one way. Remove the mulching plug when using the grass collector.

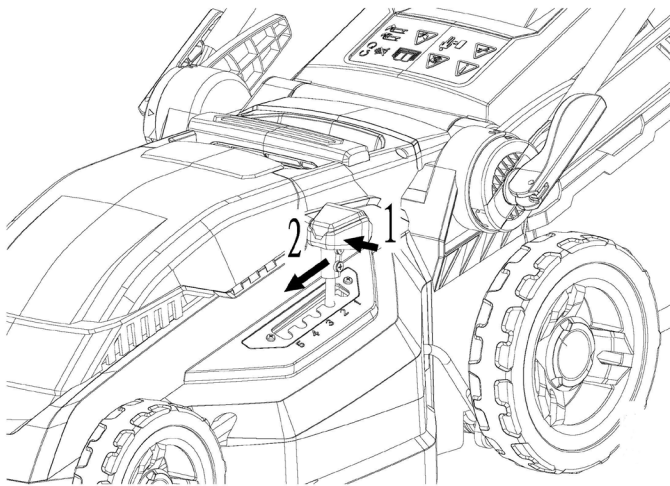


# Assembly

## Step 4 : Adjusting The Cutting Height

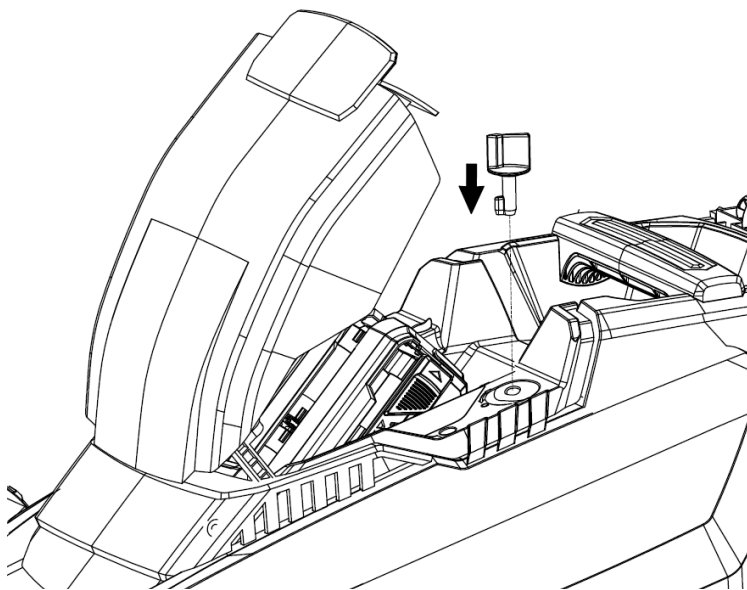
The cutting height can be adjusted in 6 steps with the cutting height adjustment.

1. Pull the handle outwards slightly.
2. Set the required cutting height.
3. Release the lever again.



## Step 5 : Inserting / Replacing The Battery

1. Charge the battery as described in the user manual of the charger.
2. Open the battery cover.
3. Press the charged battery into the power tool until it clicks into place.
4. Close the battery cover.



5. To remove, lift the battery release lever and pull out the battery.

**! CAUTION** - Protect the battery contacts when the battery is no longer being used. Loose metal parts may short-circuit the contact - Explosion and fire hazard!

Contact Us

# Safety Key

## About The Safety Key

The lawnmower has a security key. The key is located under the battery cover. By removing the key, the power supply to the motor is interrupted.

You must remove the safety key:

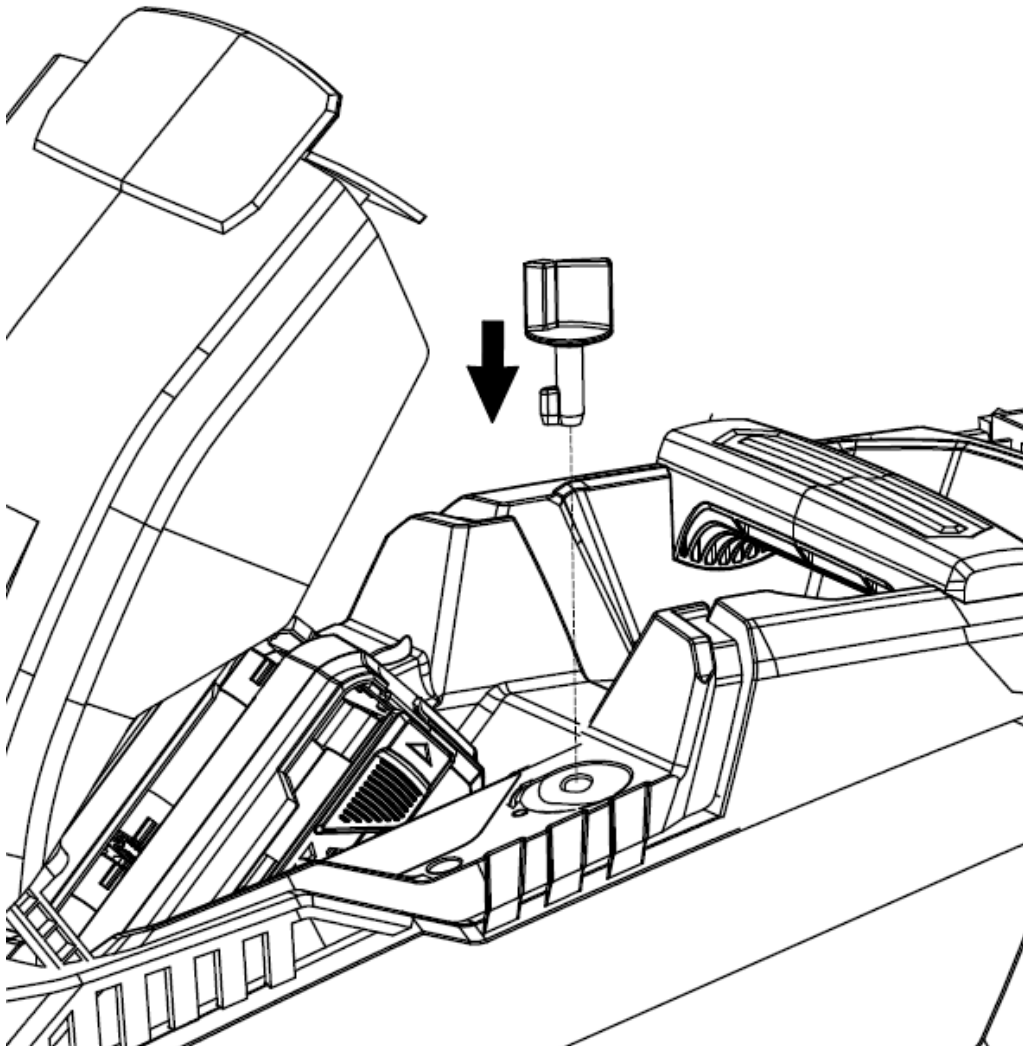
- If the unit is left unattended.
- Before checking, cleaning or performing other work on the unit.
- Before removing blockages.
- If a foreign object is hit. Check the lawnmower for damage, and have any damage repaired by a qualified technician or service centre if the unit starts vibrating excessively.

## To Remove The Safety Key

1. Rotate the key to position “O” and remove.

## To Insert The Safety Key

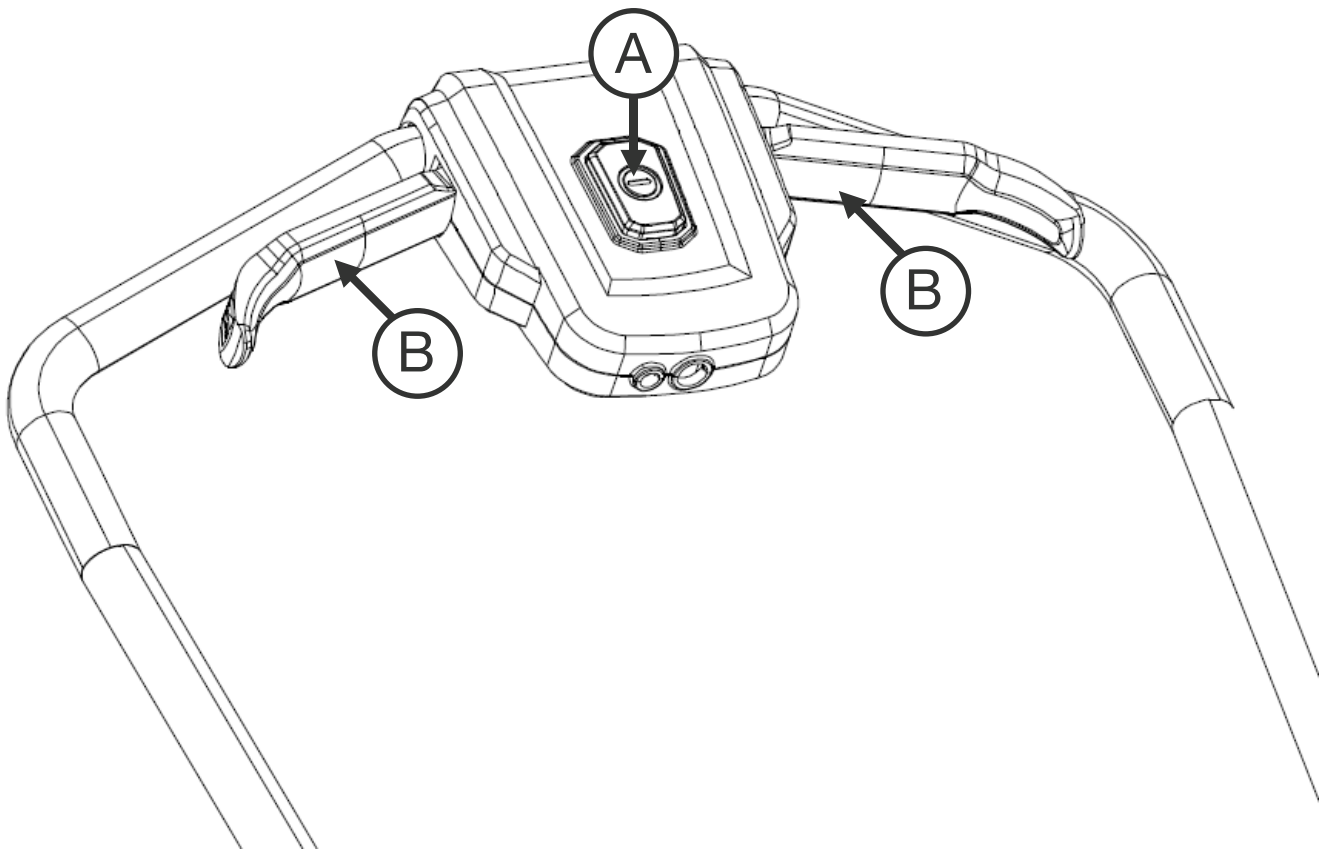
1. Insert the key from position “O” and rotate the key to the position “I”, the machine is ready to work. No battery switching is allowed when the machine is working.



# Starting / Stopping

## Switching On

1. Press the switch interlock and hold down (A).
2. Pull back On/Off switch (B) towards the handle to start the motor.



## Switching Off

1. Release the On/Off switch (B).

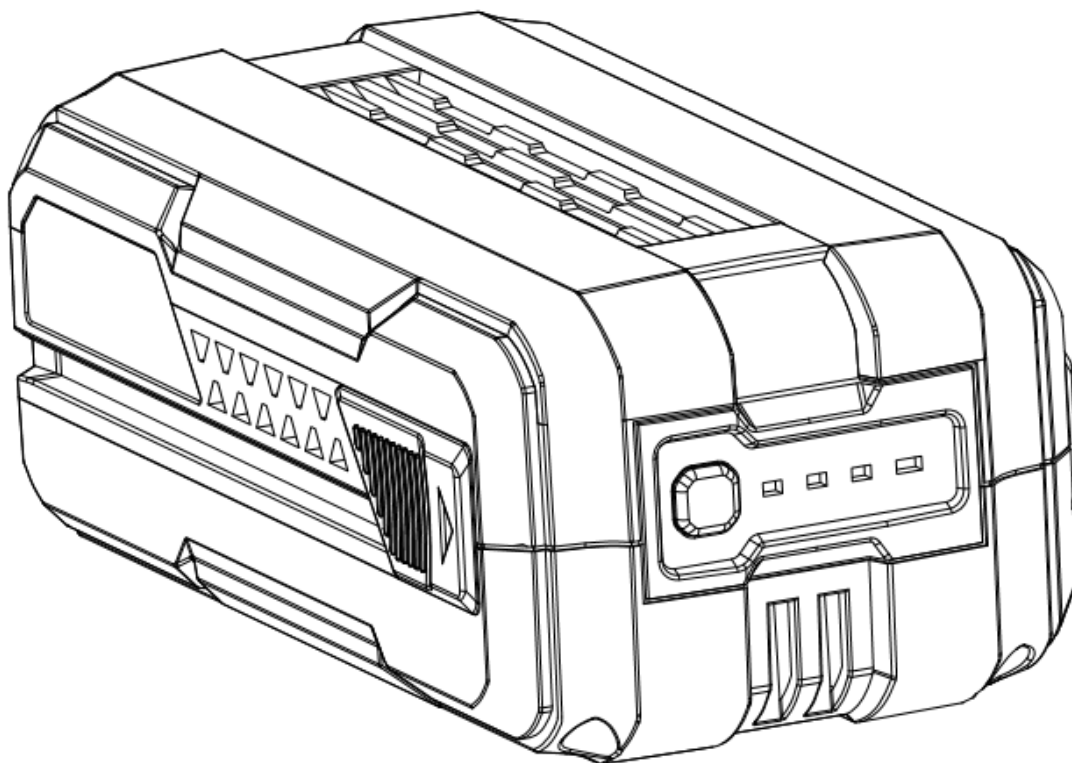
**⚠ WARNING** - After release of the On/Off switch, the blade will continue moving briefly. Risk of injury!

# Battery

## Checking Charge Status

The unit has an LED state of charge indicator on the handlebar.

- 4 LED lights lit = 100% battery power
- 3 LED lights lit = 75% battery power
- 2 LED lights lit = 50% battery power
- 1 LED light lit = 25% battery power



## Charging The Battery

1. Plug the charger into an AC outlet 220-250V (normal household voltage).
2. Insert the battery into the slots of the charger and slide into place until the battery locks into place.
3. The LED will flash green while the battery is charging.
4. Once the battery is fully charged, the LED indicator will show a steady green light.
5. Remove the battery by pressing and holding the latch button and sliding out of the charger.
6. Do not leave the battery on the charger. Remove it when it is fully charged.
7. Lithium-ion batteries have no memory effect - a partial charge will not damage your battery.

**⚠ WARNING!** Charge in a safe location away from moisture and heat sources!



# Removing / Emptying Grass Collector

## Grass Collector

If the grass collector is full, it should be emptied immediately.

1. Switch the motor off.
2. Wait until the blade stops.
3. Lift the rear discharge guard.
4. Remove the grass collector.
5. Lower the rear discharge guard down again.
6. Empty the grass collector.
7. Before re-fitting, remove any obstructions from the rear discharge chute.



## General Tips

- Maintain a constant cutting height of 3-5cm. Do not shorten the grass to less than half its original height.
- Under certain conditions, such as very tall grass, it may be necessary to raise the height of cut to reduce pushing effort, prevent overloading of the motor and leaving clumps of grass clippings.
- It may also be necessary to reduce ground speed and/or push the lawnmower over the area a second time. For extremely heavy cutting, reduce the width of cut by overlapping the previously cut path and mow slowly.

## How Often Should I Mow?

### Spring (March, April & May)

Mow once a week on a high to medium height setting.

### Summer (June, July & August)

Mow twice a week under good growing conditions on a low setting. In dry conditions, mow once a week on a medium to high height setting.

### Autumn (September, October & November)

Mow once a week on a medium height setting.

### Winter (December, January & February)

Mow as required on a high height setting.

## How Does Mulching Work?

Mulching is the intelligent way to keep your lawn healthy. This is when the grass clippings are cut into fine pieces which then fall back into the soil. These fine pieces are rich in nutrients and act as a natural fertiliser. This will keep your lawn healthy.

# Technical Data

## Specifications

Model	HYM40Li380P
Nominal Voltage	40V
Battery Type	2.5Ah Lithium-ion
Cutting Height	20-70mm (6 Heights)
Grass Collector Capacity	40L
Motor Speed	3600rpm
Cutting Width	380mm / 38cm
Wheel Size Front	160mm
Wheel Size Rear	200mm
Measured Sound Power	93dB(A)
Guaranteed Sound Power	96dB(A)
Vibration Level	2.9m/s <sup>2</sup> , k=1.5m/s <sup>2</sup>
Weight	13.9kg Including Battery



# Maintenance & Care

## ⚠ Maintenance Safety

**⚠ WARNING** - Remove the battery pack before cleaning or maintaining the tool. Remove the battery pack before transporting or storing the tool.

**⚠ IMPORTANT** - Routine and accurate maintenance is essential for maintaining original machine safety and performance levels.

**⚠ WARNING** - Before cleaning or doing maintenance work, you need to remove the battery and safety key. You need to wear proper clothing and protective gloves whenever your hands are at risk.

**⚠** If there are worn or damaged parts, never use the machine. Faulty or worn-out parts must be replaced and not repaired. You must only use original spare parts. The use of non-original and/or incorrectly fitted parts will jeopardize the safety of the machine. This may also cause accidents or personal injuries for which the manufacturer is under no circumstance liable or responsible.

**⚠** Any maintenance operations or adjustments not explained in this manual must be carried out by your Dealer or a specialised Service Centre with the necessary knowledge and equipment to ensure that the work is done correctly maintaining the machine's original safety level. Any operations performed in unauthorised centres or by unqualified persons will invalidate the Warranty and all obligations and responsibilities of the Manufacturer.

**⚠** Be very careful during adjustment of the machine to prevent entrapment of the fingers between moving parts of the blade and fixed parts of the machine.

**⚠ CAUTION - DO NOT** use a hose pipe or pressure washer to clean the machine. Water can damage the machine.

## Checking Your Machine

When checking your lawnmower, we recommend you:

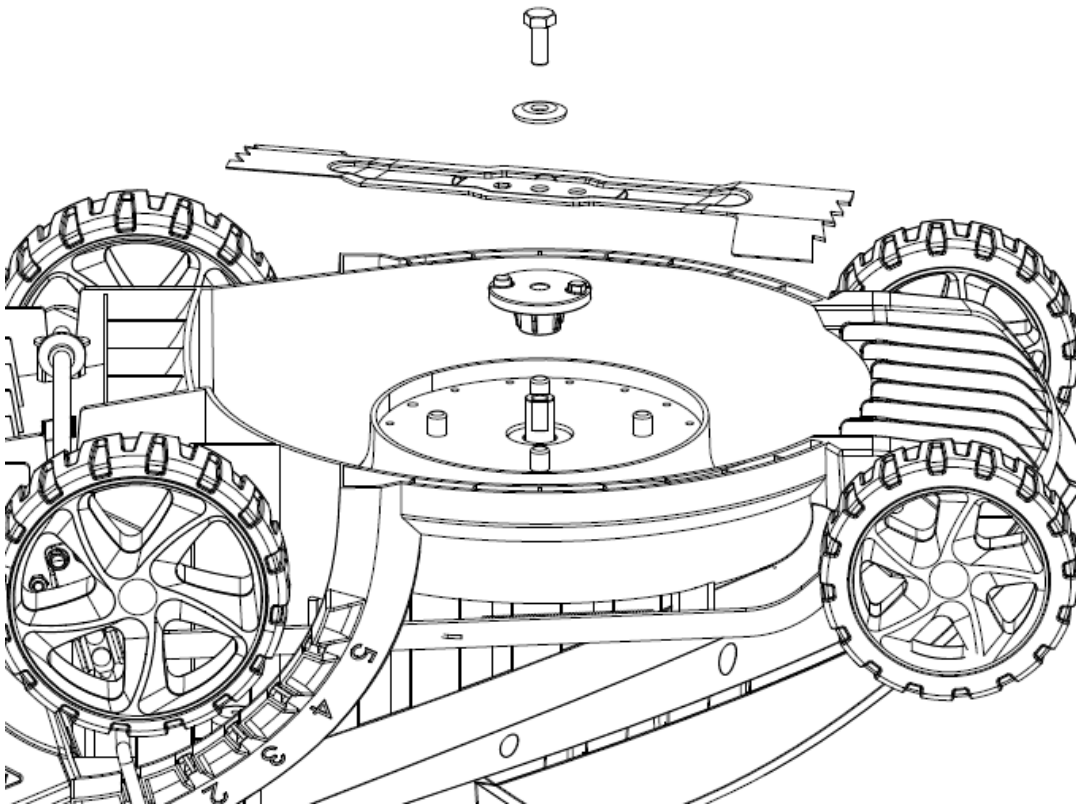
- Check for worn or damaged parts.
- Make sure all nuts, screws, bolts and blade are tight.
- Frequently inspect the grass bag assembly for signs of wear and replace immediately with a genuine Hyundai part if damage is found.
- Make sure all warning stickers are in place and not damaged.

Repairs may be carried out by an authorised customer service centre only.

# Maintenance & Care

## Blade Maintenance

**⚠ WARNING** - To prevent against injury from the blade, have a specialist perform all work such as replacing or sharpening the blade (special tools and skills required).



Only use original spare parts: The use of non-original and/or incorrectly fitted parts will jeopardize the safety of the machine, may cause accidents or personal injuries for which the Manufacturer is under no circumstance liable or responsible.

## Cleaning

**⚠ WARNING** - Do not use water or liquid detergents. Remove the battery and safety key before cleaning.

1. Clean the equipment immediately after use with a damp cloth and some soft, non-abrasive soap. Do not use cleaning agents or harsh solvents; these may damage the plastic parts in the equipment. Ensure that no water penetrates the equipment's interior.
2. Remove grass and mud from inside the deck to prevent it from drying. This could cause problems the next time the lawnmower is used.
3. Keep all safety devices, air vents and the motor housing free of dirt and dust as much as possible.
4. Dry the machine completely. Keep the handles dry, clean and free of oil and grease.
5. Avoid using solvents when cleaning plastic parts. Most plastics are susceptible to damage from various types of commercial solvents and may be damaged by their use.
6. Pores in grass collector can become filled with dirt and dust during use and will collect less grass. To prevent this, regularly hose the collector off with water and let it dry before using.

## Contact Us



[www.hyundaipowerproducts.co.uk](http://www.hyundaipowerproducts.co.uk)



01646 687 880



[aftersales@hyundaipowerproducts.co.uk](mailto:aftersales@hyundaipowerproducts.co.uk)

# Maintenance & Care

## Storage

1. Make sure it has been cleaned. See cleaning section.
2. Remove the safety key and remove the battery from the mower before storing.
3. Store the unit in a dry and frost-free place (10-25 °C) away from sources of ignition and varying changes in temperature. DO NOT store a machine that has not been given time to fully cool down. Store the machine in a safe place, out of the reach of children.
4. Store the battery and the unit separately. Charge the battery before storing the unit in winter.
5. DO NOT stack other items on top of the machine when in storage.
6. Keep the unit, in particular its plastic components, away from brake fluids, petrol, petroleum products, penetrating oil, etc. They contain chemical substances which may damage, attack or destroy the plastic components of the unit. To reduce fire hazards, keep the machine free of grass, leaves, or excessive grease. You must always empty the grass collector and do not leave containers full of cut grass inside storage areas.

## Folding The Lawnmower

1. The handle bar can be folded down to facilitate storage and transport.
2. Loosen the screws of triangle knob on the upper handle and move the handle backwards.

## Transportation And Handling

1. Whenever the machine is to be handled, lifted, transported or tilted you must:
  - Wear sturdy work gloves.
  - Hold the machine at the points that offer a safe grip, taking into account the weight and relative distribution of the same.
  - Use an appropriate number of people for the weight of the machine and the characteristics of the vehicle or the place where it must be placed or collected
  - You must make sure that machine movements do not cause damage or injuries.
2. During transport, make sure to fasten the machine securely with cables or straps.

# Troubleshooting

Fault	Possible Cause	Remedy
Motor does not start	<ol style="list-style-type: none"> <li>1. Capacitor defective</li> <li>2. Battery pack empty</li> <li>3. Cable defective</li> <li>4. Switch/plug block defective</li> <li>5. Motor terminals or capacitor disconnected</li> <li>6. Mower standing in high grass</li> <li>7. Mower housing is clogged</li> <li>8. Safety key is not inserted</li> <li>9. Battery is not correctly inserted</li> </ol>	<ol style="list-style-type: none"> <li>1. Contact an authorised service centre</li> <li>2. Charge the battery pack</li> <li>3. Check the cable</li> <li>4. Contact an authorised service centre</li> <li>5. Contact an authorised service centre</li> <li>6. Start motor on shorter grass or previously mowed area; change cutting height if necessary</li> <li>7. Clean housing so that the blade can run freely</li> <li>8. Insert safety key</li> <li>9. Remove the battery and reinsert</li> </ol>
Motor performance drops	<ol style="list-style-type: none"> <li>1. Grass too tall or damp</li> <li>2. Mower housing is clogged</li> <li>3. Blades badly worn</li> <li>4. Battery performance decreasing</li> </ol>	<ol style="list-style-type: none"> <li>1. Correct the cutting height</li> <li>2. Clean housing</li> <li>3. Replace blades</li> <li>4. Check the battery performance and charge the battery if necessary</li> </ol>
Unclean cuts	<ol style="list-style-type: none"> <li>1. Blades worn</li> <li>2. Wrong cutting height</li> </ol>	<ol style="list-style-type: none"> <li>1. Replace or re-sharpen the blade; contact an authorised service centre</li> <li>2. Correct the cutting height</li> </ol>



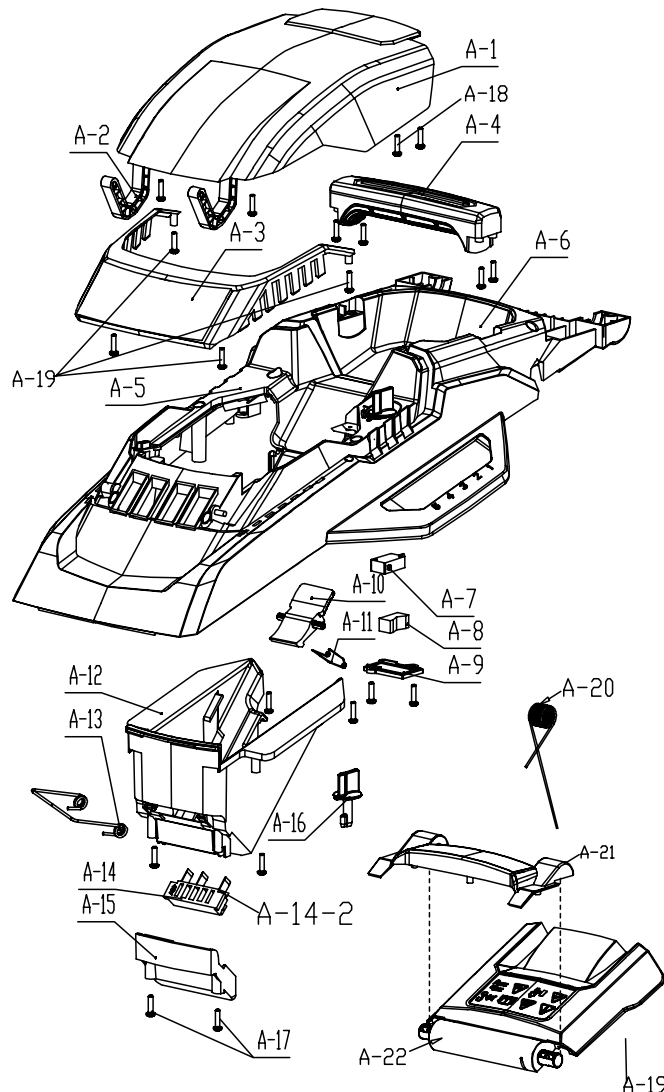
# Spare Parts

## Ordering Spare Parts

⚠ Only use original spare parts: The use of non-original and/or incorrectly fitted parts will jeopardise the safety of the machine, may cause accidents or injuries for which the manufacturer is under no circumstance liable or responsible.

- 1 Find the part you are looking for in the drawings.
- 2 Information about the parts can be found in the tables below or visit [power-spares.co.uk](http://power-spares.co.uk)
- 3 Use this information to order the part.
- 4 Contact us if you need help finding the correct part.

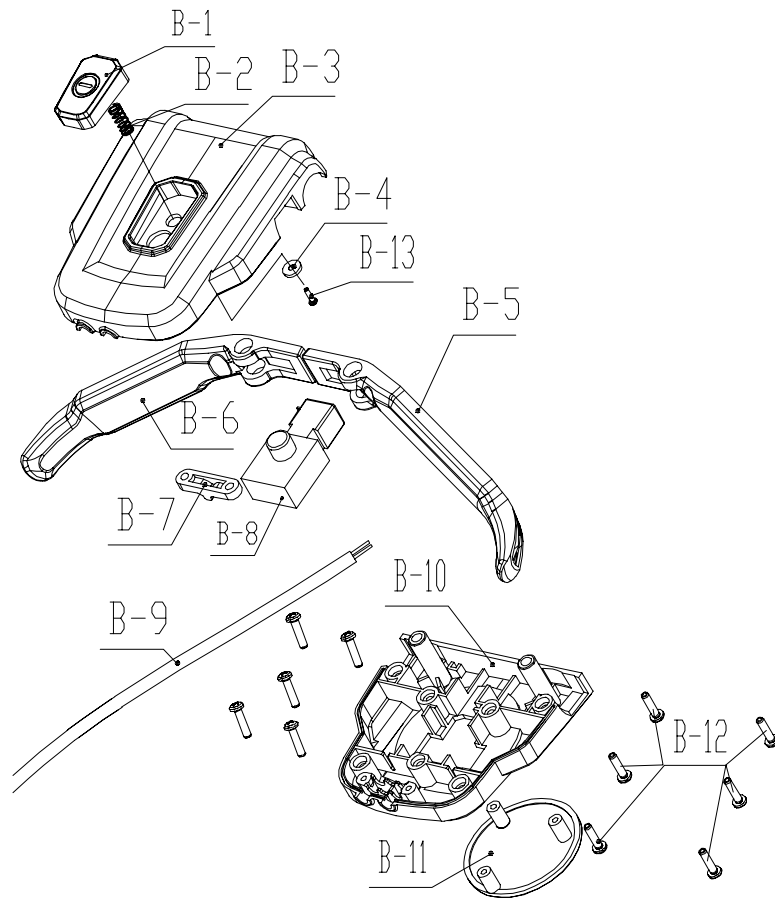
## Drawing A



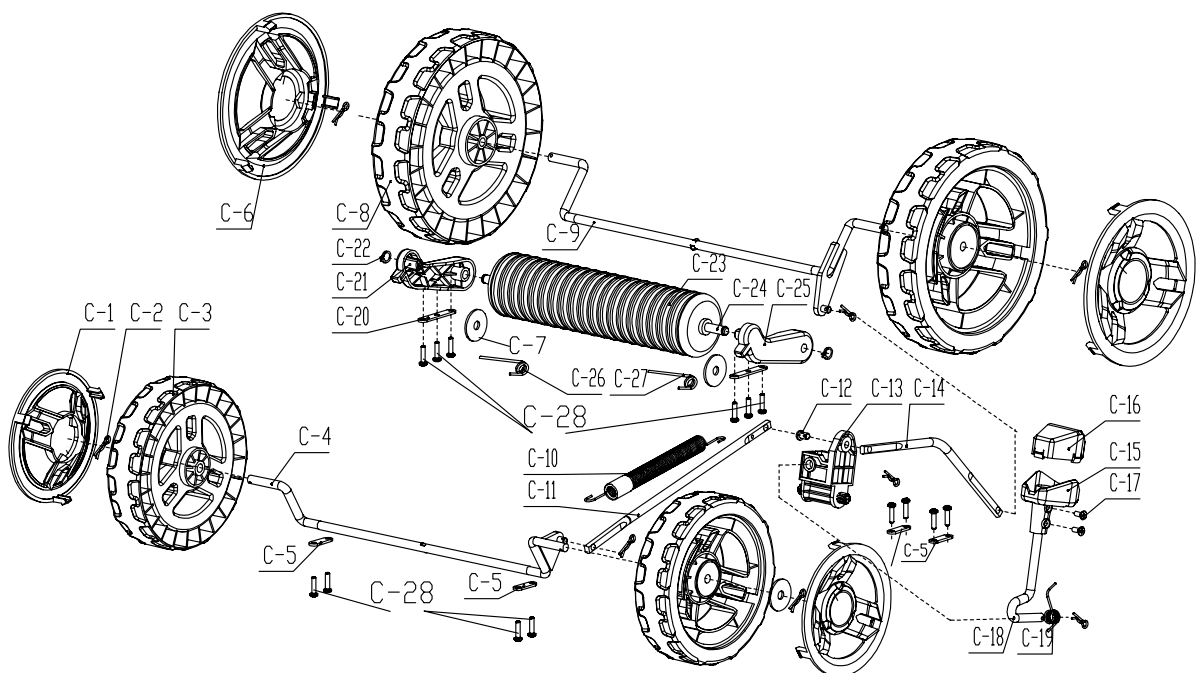


# Spare Parts

## Drawing B



## Drawing C



Contact Us



[www.hyundaipowerproducts.co.uk](http://www.hyundaipowerproducts.co.uk)



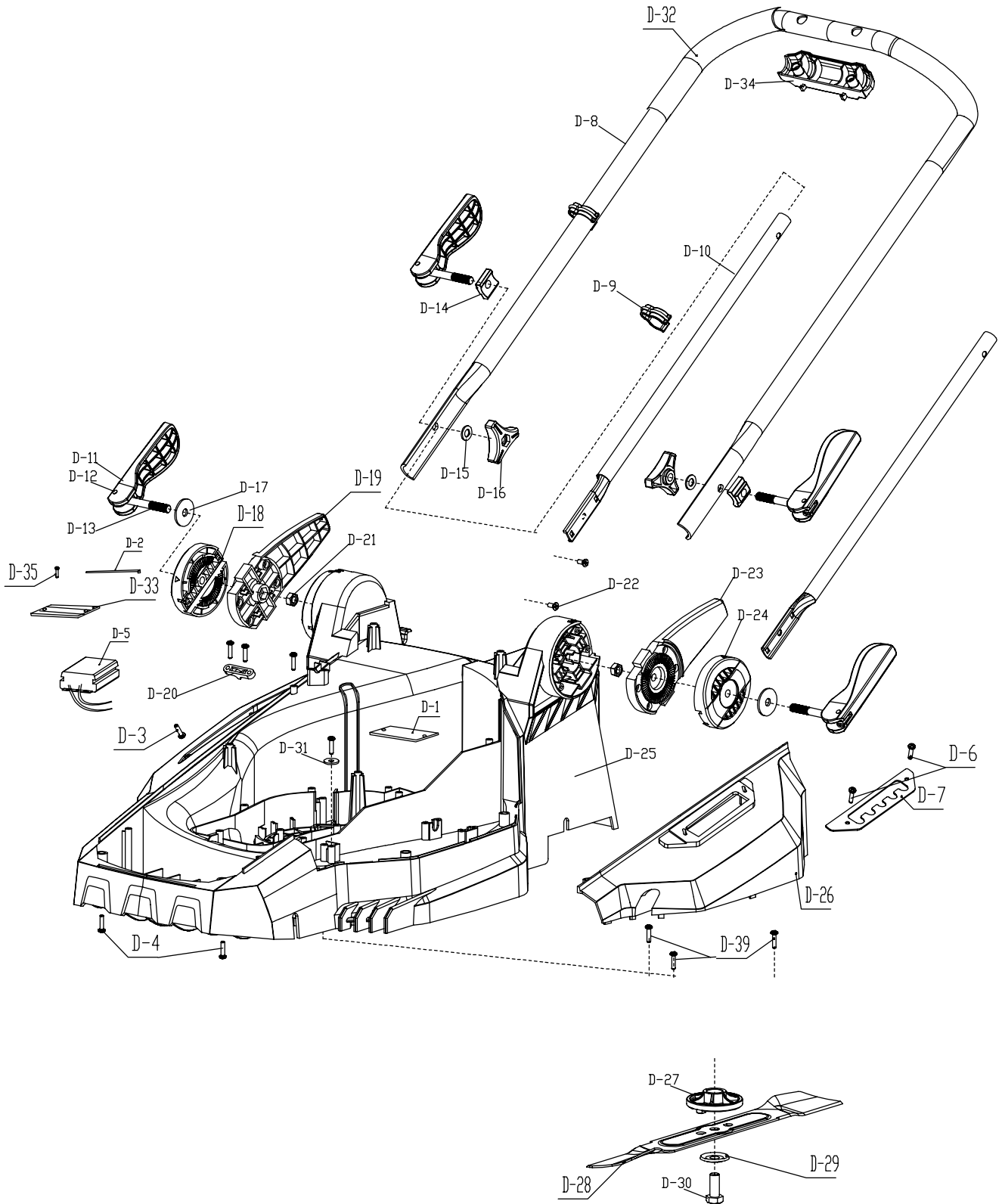
01646 687 880



[aftersales@hyundaipowerproducts.co.uk](mailto:aftersales@hyundaipowerproducts.co.uk)

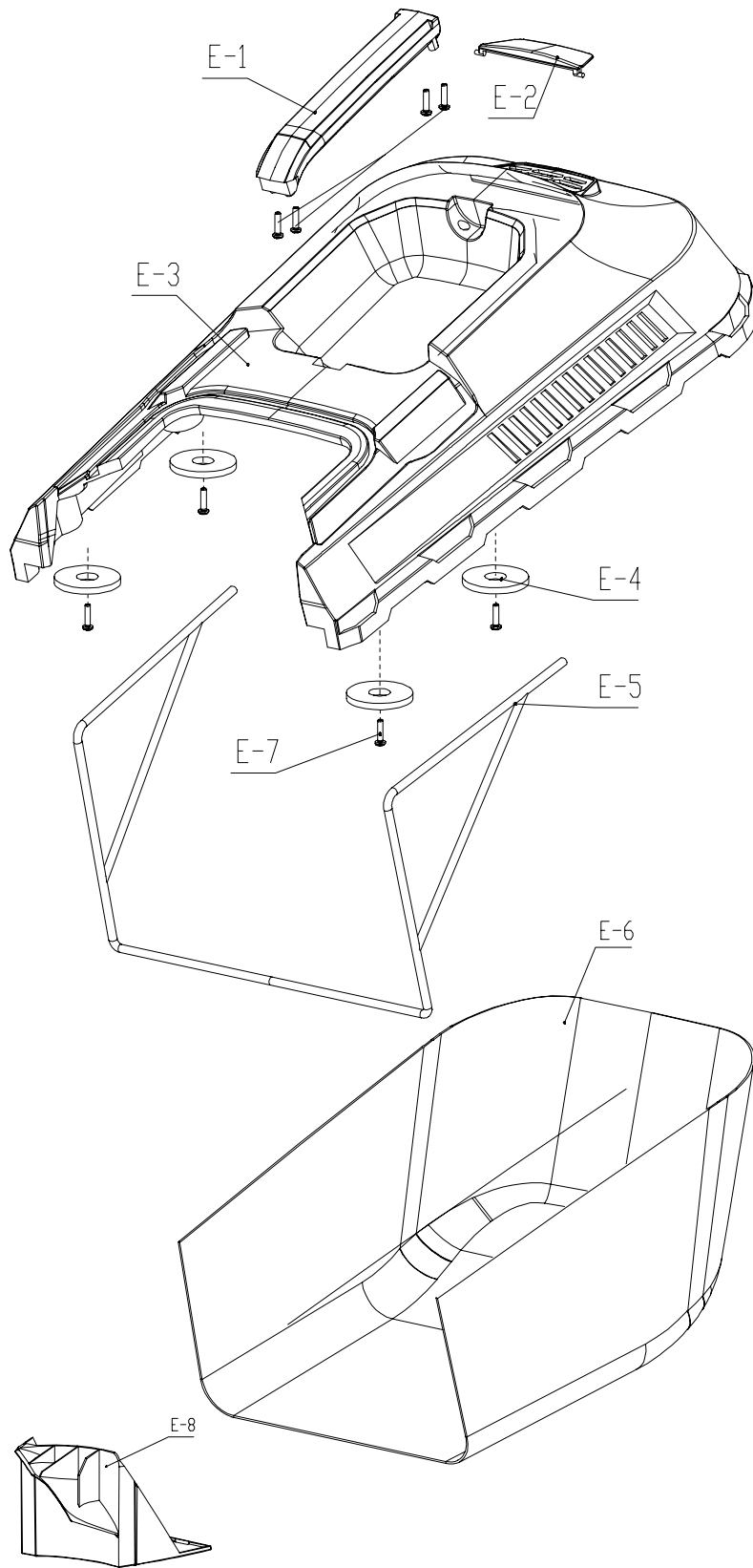
# Spare Parts

## Drawing D



# Spare Parts

## Drawing E



Contact Us



[www.hyundaipowerproducts.co.uk](http://www.hyundaipowerproducts.co.uk)



01646 687 880



[aftersales@hyundaipowerproducts.co.uk](mailto:aftersales@hyundaipowerproducts.co.uk)

# Spare Parts

## Drawing A

Drawing Number	Spare Part Name	Part Number
HYM40Li380P-A1	Cover of Battery House	1286001
HYM40Li380P-A2	Rotating Arm for Cover	1286002
HYM40Li380P-A3	Decorative Cover	1286003
HYM40Li380P-A4	Handle	1286004
HYM40Li380P-A5	Strong Permanent Magnet	1286005
HYM40Li380P-A6	Base of the Battery House	1286006
HYM40Li380P-A7	Switch	1189016
HYM40Li380P-A8	Slip Block	1286008
HYM40Li380P-A9	Press Board for Key	1286009
HYM40Li380P-A10	Buckle for Battery Pack	1286010
HYM40Li380P-A11	Spring for Trigger	1286011
HYM40Li380P-A12	Battery House	1286012
HYM40Li380P-A13	Spring	1308047
HYM40Li380P-A14	Wire Group for Battery Pack	1286014
HYM40Li380P-A14-2	Connecting Group for Battery Pack	1308016
HYM40Li380P-A15	Press Board for Insert Part	1286016
HYM40Li380P-A16	Safety Key	1290050
HYM40Li380P-A17	ST Screw	1290030
HYM40Li380P-A18	ST Screw	1286019
HYM40Li380P-A19	ST Screw	1308043
HYM40Li380P-A20	Spring	1286021
HYM40Li380P-A21	Pressed Board of Rear Cover	1286022
HYM40Li380P-A22	Rear Cover	1286023

## Drawing B

Drawing Number	Spare Part Name	Part Number
HYM40Li380P-B1	Switch Box Assy	1286024

# Spare Parts

## Drawing C

Drawing Number	Spare Part Name	Part Number
HYM40Li380P-C1	160 Wheel	1286025
HYM40Li380P-C2	Pin	1286026
HYM40Li380P-C3	160 Wheel Cover	1286027
HYM40Li380P-C4	Front Wheel Axle	1286028
HYM40Li380P-C5	Press Board 1	1286029
HYM40Li380P-C6	200 Wheel Cover	1286030
HYM40Li380P-C7	Washer	1286031
HYM40Li380P-C8	200 Wheel	1286032
HYM40Li380P-C9	Rear Wheel Axle	1286033
HYM40Li380P-C10	Spring	1286034
HYM40Li380P-C11	Front Pulling Pole	1286035
HYM40Li380P-C12	Pin Axle	1286036
HYM40Li380P-C13	Height Adjusting Bracket	1286037
HYM40Li380P-C14	Rear Pulling Pole	1286038
HYM40Li380P-C15	Height Adjusting Handle	1286039
HYM40Li380P-C16	Handle Cover of Height Adjusting	1286040
HYM40Li380P-C17	Screw	1286041
HYM40Li380P-C18	Height Adjusting Pulling Pole	1286042
HYM40Li380P-C19	Spring	1286043
HYM40Li380P-C20	Press Board 2	1286044
HYM40Li380P-C21	Right Bracket for Roller	1286045
HYM40Li380P-C22	Block Ring	1286046
HYM40Li380P-C23	Roller	1286047
HYM40Li380P-C24	Axle for Roller	1286048
HYM40Li380P-C25	Left Bracket for Roller	1286049
HYM40Li380P-C26	Spring 2	1286050
HYM40Li380P-C27	Spring 3	1286051
HYM40Li380P-C28	ST Screw	1286052



# Spare Parts

## Drawing D

Drawing Number	Spare Part Name	Part Number
HYM40Li380P-D1	Block Board	1286053
HYM40Li380P-D2	Nylon Belt	1286054
HYM40Li380P-D3	ST Screw	1286055
HYM40Li380P-D4	ST Screw	1286056
HYM40Li380P-D5	Controller	1286057
HYM40Li380P-D6	ST Screw	1286058
HYM40Li380P-D7	Height Adjusting Board	1286059
HYM40Li380P-D8	Upper Handle	1286060
HYM40Li380P-D9	Cable Clamp	1286061
HYM40Li380P-D10	Lower Handle	1286062
HYM40Li380P-D11	Quick Release Handle	1286063
HYM40Li380P-D12	Pin	1286064
HYM40Li380P-D13	Pin	1286065
HYM40Li380P-D14	Position Limit Base	1286066
HYM40Li380P-D15	Washer	1290007
HYM40Li380P-D16	Knob	1290008
HYM40Li380P-D17	Washer	1286069
HYM40Li380P-D18	Gear Buckle Right for Handle	1286070
HYM40Li380P-D19	Buckle, Right	1286071
HYM40Li380P-D20	Press Board	1290028
HYM40Li380P-D21	Nut	1286073
HYM40Li380P-D22	Screw	1286074
HYM40Li380P-D23	Buckle, Left	1286075
HYM40Li380P-D24	Gear Buckle Left for Handle	1286076
HYM40Li380P-D25	Lower Deck	1286077
HYM40Li380P-D26	Side Cover	1286078
HYM40Li380P-D27	Blade Seat	1286079
HYM40Li380P-D28	Blade	1286080
HYM40Li380P-D29	Washer	1288042
HYM40Li380P-D30	Bolt	1286082
HYM40Li380P-D31	Washer	1286083
HYM40Li380P-D32	Handle Foam	1286084
HYM40Li380P-D33	Weight Block	1286085
HYM40Li380P-D34	Clip Buckle of Lower Cover	1286086
HYM40Li380P-D35	ST Screw	1189034

# Spare Parts

## Drawing E

Drawing Number	Spare Part Name	Part Number
HYM40Li380P-E1	Handle of grass box	1286088
HYM40Li380P-E2	Window cover	1286089
HYM40Li380P-E3	Cover of grass box	1286090
HYM40Li380P-E4	Washer	1290121
HYM40Li380P-E5	Steel bracket for grass box	1286092
HYM40Li380P-E6	Grass bag	1286093
HYM40Li380P-E7	ST screw	1286094
HYM40Li380P-E8	Mulching Plug	1286095



# Disposal

## Recycling And Disposal



We do not offer a takeback scheme for the recovery of Waste Electrical Electronic Equipment (WEEE) & Batteries. Instead the responsibility to dispose of WEEE and/or Batteries is passed onto you by us.

So when it becomes necessary to dispose of your machine you must take it to your local Civic Amenity Site. For further information please contact your local Authority for disposal advice.

You **MUST** make sure that all unused oil and fuel is disposed of correctly either beforehand or at your local Civic Amenity Site.

- Under NO circumstances must any fuel or oil be put down any drains.
- Certain products contain WEEE waste which should not be disposed of in your domestic waste.
- You **MUST** recycle WEEE in accordance with your local authority or recycling centre.
- Certain products contain batteries which should not be disposed of in your domestic waste.
- You **MUST** recycle batteries in accordance with your local authority or recycling centre.
- Unwanted packaging and materials should be stored and taken to a recycling centre so it can be disposed of in a manner which is compatible with the environment.

We are a Member of the VALPAK National Compliance Scheme and our registration number is **RM08660**. For further information about disposal please contact your Local Authority.

You can also get more advice and guidance about recycling at the following website  
<http://www.recycle-more.co.uk>

Should you pass this product on to another user either sold or loaned, you **MUST** pass on this user manual. This will make sure that all other users can use and maintain this machine safely.

## Environmental Protection

1. Environmental protection should be a priority of considerable importance when using the machine, for the benefit of both social coexistence and the environment in which we live. Try not to cause any disturbance to the surrounding area.
2. You must comply with local regulations and provisions for the disposal of packaging, oils, petrol, filters, damaged parts or any elements which have a strong impact on the environment. This waste must not be disposed of as normal waste. It needs to be separated and taken to specified waste disposal centres where the material will be recycled.
3. You must comply with local regulations for the disposal of waste materials after mowing.
4. When disposing, do not pollute the environment with the machine, but hand it over to a disposal centre, in accordance with the local laws in force.



# Our Product Range

## Generators

Leisure Inverter, Petrol, Diesel And Built-In Motorhome Generators

## Pressure Washers

Petrol, Diesel And Electric Pressure Washers

## Water Pumps

Submersible, Clean And Dirty Water And Professional Chemical Water Pumps

## Lawnmowers

Petrol, Cordless, Electric, Roller, Self Propelled, Electric Start And Robotic Lawnmowers

## Grass Trimmers And Brush Cutters

Petrol, Cordless, Electric And Wheeled Grass Trimmers And Brush Cutters

## Chainsaws

Petrol, Cordless And Electric Chainsaws

## Hedge Trimmers

Petrol And Cordless Hedge Trimmers

## Leaf Blowers

Petrol, Electric, Cordless, Backpack And 3 -in-1 Leaf Blowers

## Log Splitters

Horizontal, Vertical, Petrol And Electric Log Splitters

## Wood Chippers

Petrol And Electric Start Wood Chippers

## Tillers

Petrol Garden Tiller And Cultivator

## Earth Augers And Trenchers

Petrol Earth Augers And Heavy Duty Trenchers

## Compactor Plates

Petrol Compactor Plates

## Cement Mixers

Portable Electric Cement Mixers

## Mini Dumpers

4-Wheel Drive Mini Dumpers And Tracked Dumpers

## Yard Sweeper

Self Propelled Yard Sweeper Power Brush

## Scarifiers

Petrol Lawn Scarifier And Aerator

## Stump Grinders

Petrol 4-Stroke Stump Grinders

## Welders And Plasma Cutters

MIG, TIG, MMA, ARC Welders And Plasma Cutters

## Power Tools And Tool Chests

Electric And Cordless Power Tools And Filled Tool Chests

## Vacuum Cleaners

Wet And Dry Vacuum Cleaners

## Engines

Petrol And Electric Start Engines

## Battery Chargers / Starters

6V, 12V, 24V Battery Chargers, Jump Starters And Hydraulic Floor Jack

## Air Compressors

Home, Domestic, DIY And Professional Use Air Compressors

## Lighting Towers

Mobile Lighting Towers With Diesel Generators

## Portable Power Stations

Camping Power Packs And Solar Chargers

## And More

We Are Constantly Expanding Our Range With New Products

If you would like more information on any of these products, please contact our sales team on 01646 687880 or visit our website [www.hyundaipowerproducts.co.uk](http://www.hyundaipowerproducts.co.uk)

## Contact Us



[www.hyundaipowerproducts.co.uk](http://www.hyundaipowerproducts.co.uk)



01646 687 880



[aftersales@hyundaipowerproducts.co.uk](mailto:aftersales@hyundaipowerproducts.co.uk)

# Declaration Of Conformity

## EC Declaration of Conformity

We hereby declare that the machine detailed in this declaration complies to all the relevant provisions of the following EC directives.

- 2006/42/EC The Machinery Directive
- 2014/30/EU Annex II Electromagnetic Compatibility Directive
- 2011/65/EU RoHS
- 2000/14/EC Noise Emissions in the Environment by Equipment for use Outdoors.

And is in conformity with the applicable requirements of the following documents:

- EN 60335-2-77:2010
- EN 60335-1:2012+A11:2014+A13:2017+A1:2019+A2:2019+A14:2019

Declaration for 2000/14/EC Noise Emissions in the Environment by Equipment for use Outdoors.

Notified Body for EC Directive 2000/14/EC Intertek, Shanghai.

Model	Type	Motor Size	Measured Sound Power	Guaranteed Sound Power	Cutting Width
HYM40Li330P	Cordless Lawn Mower	600w	93dB(A)	96dB(A)	33cm
HYM40Li380P		600w	93dB(A)	96dB(A)	38cm
HYM40Li420P		800w	84dB(A)	96dB(A)	42cm
HYM40Li420SP		800w	84dB(A)	96dB(A)	42cm
HYM80Li460P		1200w	90dB(A)	96dB(A)	46cm
HYM80Li460SP		1200w	90dB(A)	96dB(A)	46cm

### Product Details:


Brand: Hyundai

Model: HYM40Li330P, HYM40Li380P, HYM40Li420P, HYM40Li420SP, HYM80Li460P, HYM80Li460SP

Description: Cordless Lawn Mower

### Name and address of technical documentation holder and EU distributor:

Genpower Ltd, Isaac Way, Pembroke Dock, Pembrokeshire, SA72 4RW, UK.

Signed by: 

Roland Llewellyn, Managing Director

Date: 10/02/2020







# Useful Information

## Check Out Our YouTube Channel

Our videos on YouTube include:

- Unboxing
- Assembly of your machine
- How to service your machine
- Products in use
- 'How To' videos
- Product features

Go to [www.hyundaisupport.co.uk](http://www.hyundaisupport.co.uk) or search 'Hyundai Power Products' in YouTube.

## Warranty

Proof of purchase will be required before you make a warranty claim.

Full warranty terms and conditions can be found on the HYUNDAI POWER PRODUCTS website: [www.hyundaipowerproducts.co.uk](http://www.hyundaipowerproducts.co.uk)

## Manual Updates

Our manuals are constantly being reviewed and updated. Should you find an error, omission or something unclear, please contact us for assistance.

We reserve the right to make any modifications without prior notice whenever necessary.

Our latest manuals are also placed online.

All our manuals can be downloaded at: [www.hyundaipowerproducts.co.uk](http://www.hyundaipowerproducts.co.uk)

## Returning Your Product

If you are returning your product, please contact the dealer for their returns policy.

## Leaving A Review

We work very hard to give all of our customers the best possible service. If you have any problems, before leaving negative feedback, please contact us to give us a chance to resolve the issue. We would be delighted if you left us positive feedback!

To leave a review, please go to: [uk.trustpilot.com/review/hyundaipowerequipment.co.uk](http://uk.trustpilot.com/review/hyundaipowerequipment.co.uk)

## Ordering Spare Parts

Find the part you are looking for in the 'Spare Parts' section of this manual or visit [power-spares.co.uk](http://power-spares.co.uk)

# Need Help? Talk To Our Experts

## Contact Us

Our friendly aftersales team will be more than happy to help you.



### Phone

Call our team on 01646 687880, open Monday-Friday 8.30am-5pm.



### Email

[aftersales@hyundaipowerproducts.co.uk](mailto:aftersales@hyundaipowerproducts.co.uk)



### Online Live Chat

Go to [www.hyundaipowerproducts.co.uk](http://www.hyundaipowerproducts.co.uk)

Live chat is open Monday-Friday from 8.30am-5pm.



### Post

Genpower Limited, Isaac Way, Pembroke Dock, Pembrokeshire, SA72 4RW, UK.



# HYUNDAI

POWER PRODUCTS

Importer:  
GENPOWER LTD  
Isaac Way, London Road,  
Pembroke Dock, UNITED KINGDOM, SA72 4RW  
T: +44 (0) 1646 687 880 F: +44 (0) 1646 686 198  
E: [info@hyundaipowerproducts.co.uk](mailto:info@hyundaipowerproducts.co.uk)  
[www.hyundaipowerproducts.co.uk](http://www.hyundaipowerproducts.co.uk)

Imported/Distributed by Genpower Ltd for The United Kingdom & Ireland

Licensed by Hyundai Corporation, Korea